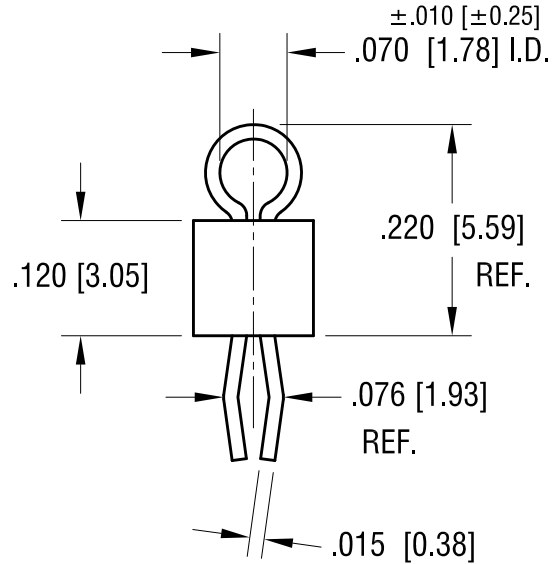
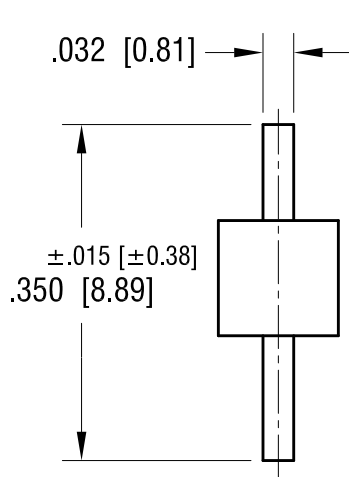
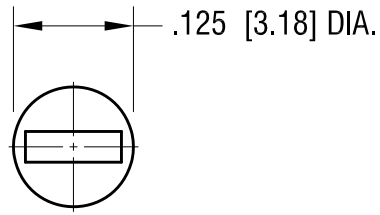
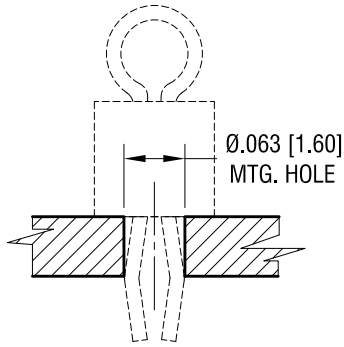


THIS DOCUMENT IS THE PROPERTY OF KEYSTONE ELECTRONICS CORP. AND SHALL NOT BE REPRODUCED, DISTRIBUTED OR USED AS A BASIS FOR MANUFACTURE WITHOUT PRIOR WRITTEN PERMISSION FROM KEYSTONE ELECTRONICS CORP.

ACTUAL SIZE



MTG. DETAIL



PART NO.	BASE COLOR
5120	BROWN
5121	GREEN
5122	BLUE
5123	GREY
5124	PURPLE

NOTES:

1. TERMINAL:
MAT'L - PHOSPHOR BRONZE WIRE
2. BASE:
MAT'L - HEAT RESISTANT NYLON 46

DATE	DESCRIPTION	REV.
12.30.13	CHANGE AS PER ECN 13-122	C
1.31.13	CHANGE AS PER ECN 13-013	B
1.29.13	CHANGE AS PER ECN 13-008	A

KEYSTONE ELECTRONICS CORP.
 www.keyelco.com • ASTORIA, N.Y. 11105-2017 • Tel (718) 956-8900

PART NAME: PC TEST POINT - COMPACT

MATERIAL: AS NOTED

FINISH: SILVER PLATE

DRN BY: NT DATE: 4.22.08

APP'D: LN SCALE: 5X

TOLERANCES INCH [MM]
 DECIMAL ± .005 [± 0.13]
 ANGULAR ± 1°
 UNLESS OTHERWISE SPECIFIED

CODE: C

DWG NO. 5120-5124