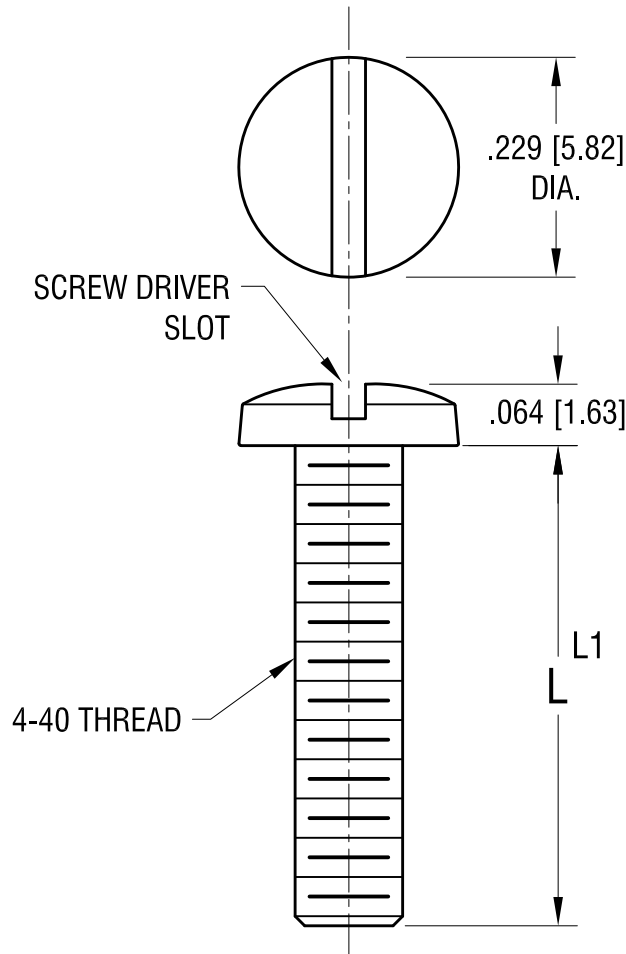


THIS DOCUMENT IS THE PROPERTY OF  
KEYSTONE ELECTRONICS CORP. AND  
SHALL NOT BE REPRODUCED, DISTRIBUTED  
OR USED AS A BASIS FOR MANUFACTURE  
WITHOUT PRIOR WRITTEN PERMISSION  
FROM KEYSTONE ELECTRONICS CORP.



PART NO.	'L' DIM.	'L1' TOL. +0.0
9400	.250 [6.25]	-.020 [-0.50]
9401	.375 [9.53]	
9402	.500 [12.70]	
9403	.625 [15.88]	-.030 [-0.76]
9404	.750 [19.05]	
9405	1.000 [25.40]	

**KEYSTONE ELECTRONICS CORP.**

www.keyelco.com • ASTORIA, N.Y. 11105-2017 • Tel (718) 956-8900

PART NAME				4-40 BINDING HEAD SCREW			
MATERIAL				STEEL			
FINISH			DRN BY		DATE		
ZINC PLATE			BOONE		3.1.04		
			APP'D		SCALE		
			LN		5X		
TOLERANCES			INCH		[MM]		
DECIMAL			± .010		[± 0.25]		
ANGULAR			± 1°				
UNLESS OTHERWISE SPECIFIED			CODE		DWG NO.		
			C		9400-9405		

DATE	DESCRIPTION	REV.