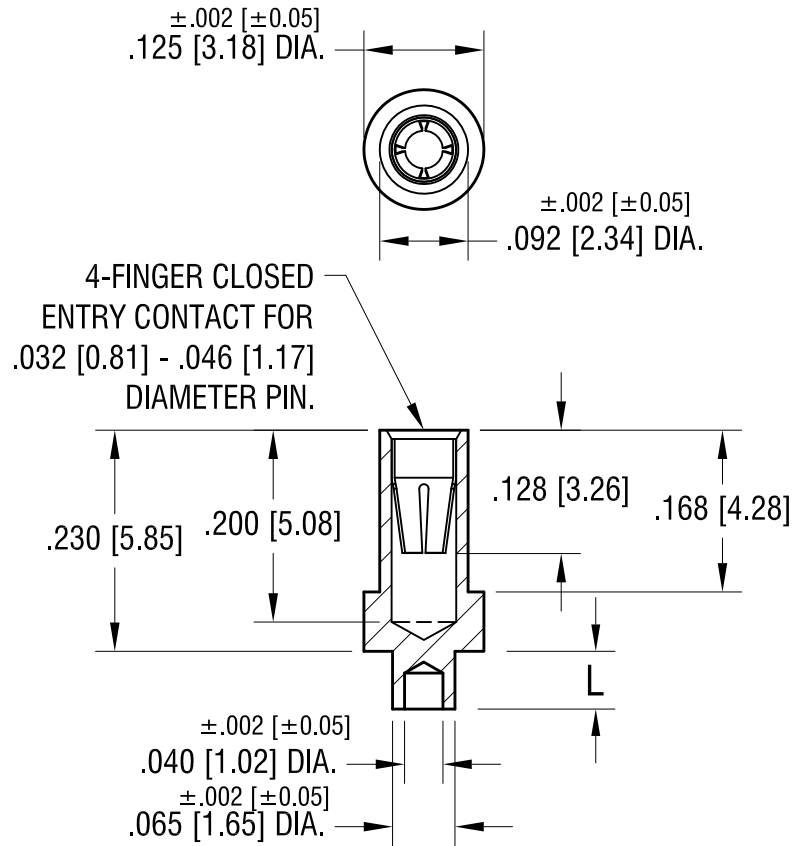


THIS DOCUMENT IS THE PROPERTY OF
KEYSTONE ELECTRONICS CORP. AND
SHALL NOT BE REPRODUCED, DISTRIBUTED
OR USED AS A BASIS FOR MANUFACTURE
WITHOUT PRIOR WRITTEN PERMISSION
FROM KEYSTONE ELECTRONICS CORP.



PART NO.	'L' DIM.
1419-1	.062 [1.57]
1419-2	.094 [2.39]
1419-3	.125 [3.18]
1419-4	.156 [3.96]

NOTES:

1. BODY: MAT'L - BRASS
SPRING CONTACT: MAT'L - BERYLLIUM COPPER
2. MOUNTING HOLE DIA.: .067 [1.70]

KEYSTONE ELECTRONICS CORP.
www.keyelco.com • ASTORIA, N.Y. 11105-2017 • Tel (718) 956-8900

PART NAME
MICRO JACK, SWAGE MOUNT

MATERIAL
AS NOTED

FINISH GOLD PLATE	DRN BY BOONE	DATE 2.5.07
	APP'D LN	SCALE 5X

TOLERANCES INCH [MM]
DECIMAL ±.005 [±0.13]
ANGULAR ± 1°
UNLESS OTHERWISE SPECIFIED

CODE
C

DWG NO.
1419-1 - 1419-4

DATE	DESCRIPTION	REV.