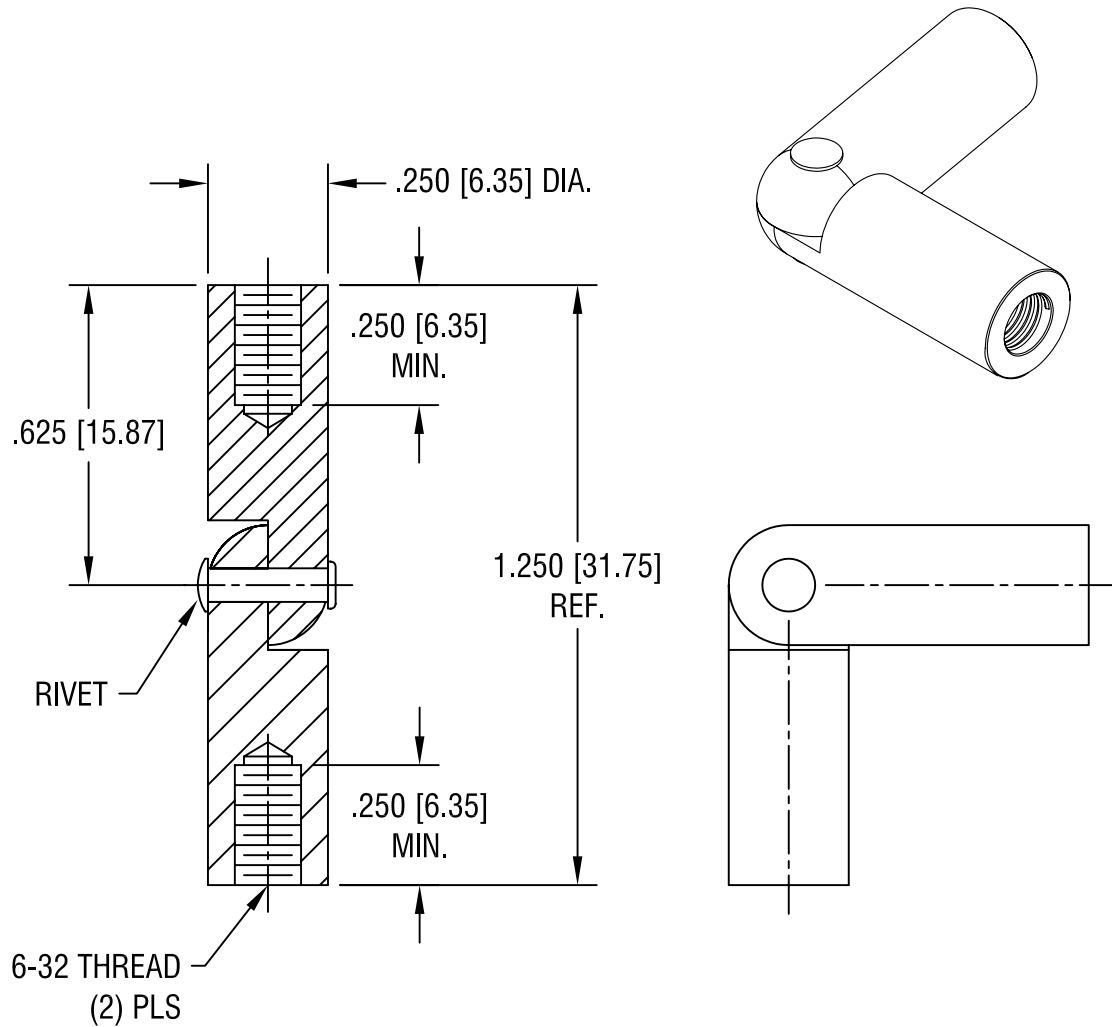


THIS DOCUMENT IS THE PROPERTY OF
KEYSTONE ELECTRONICS CORP. AND
SHALL NOT BE REPRODUCED, DISTRIBUTED
OR USED AS A BASIS FOR MANUFACTURE
WITHOUT PRIOR WRITTEN PERMISSION
FROM KEYSTONE ELECTRONICS CORP.



KEYSTONE ELECTRONICS CORP.

www.keyelco.com • ASTORIA, N.Y. 11105-2017 • Tel (718) 956-8900

PART NAME
HINGED STANDOFF, FEMALE/FEMALE

MATERIAL
BRASS

FINISH ZINC PLATE WITH YELLOW CHROMATE	DRN BY BOONE	DATE 9.18.95
	APP'D LN	SCALE 2.5X

9.08.08 | CHANGE AS PER ECN 08-148 | A

TOLERANCES DECIMAL ANGULAR UNLESS OTHERWISE SPECIFIED	INCH [MM] $\pm .005$ [± 0.15] $\pm 1^\circ$	CODE C	DWG NO. 331
--	---	------------------	-----------------------

DATE	DESCRIPTION	REV.
------	-------------	------