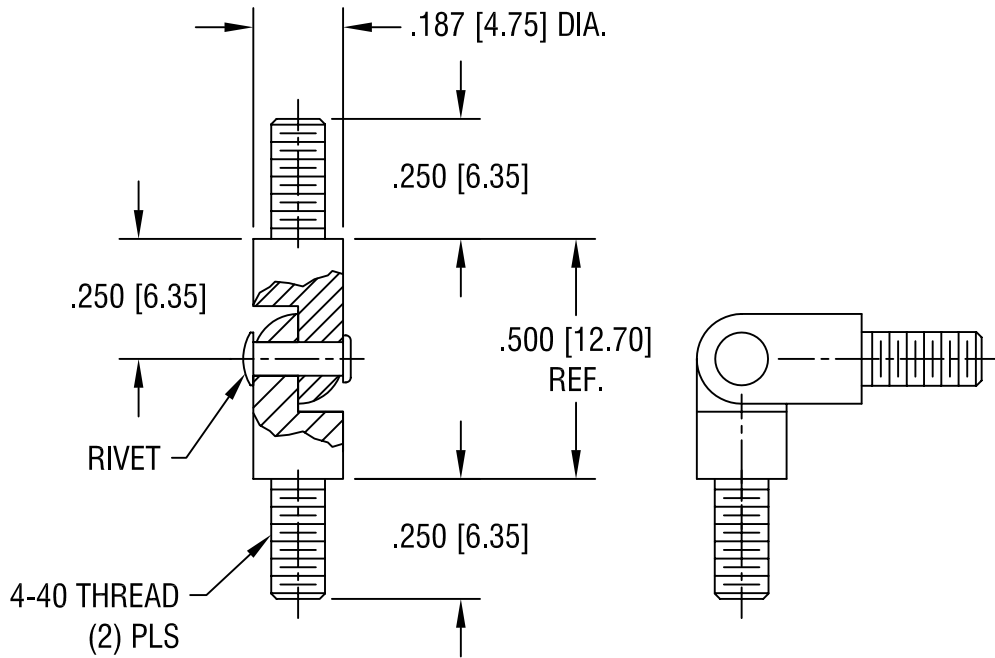
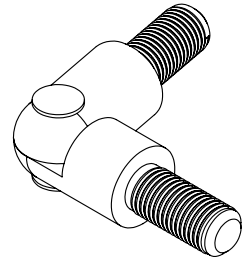


THIS DOCUMENT IS THE PROPERTY OF
KEYSTONE ELECTRONICS CORP. AND
SHALL NOT BE REPRODUCED, DISTRIBUTED
OR USED AS A BASIS FOR MANUFACTURE
WITHOUT PRIOR WRITTEN PERMISSION
FROM KEYSTONE ELECTRONICS CORP.



KEYSTONE ELECTRONICS CORP.

www.keyelco.com • ASTORIA, N.Y. 11105-2017 • Tel (718) 956-8900

PART NAME
HINGED STANDOFF, MALE/MALE

MATERIAL
BRASS

FINISH ZINC PLATE WITH YELLOW CHROMATE	DRN BY	BOONE	DATE	9.6.95
	APP'D	LN	SCALE	2.5X

9.08.08 | CHANGE AS PER ECN 08-145

A

TOLERANCES	INCH	[MM]	CODE	DWG NO.
DECIMAL	± .005	[± 0.15]	C	357
ANGULAR	± 1°			
UNLESS OTHERWISE SPECIFIED				

DATE	DESCRIPTION	REV.
------	-------------	------