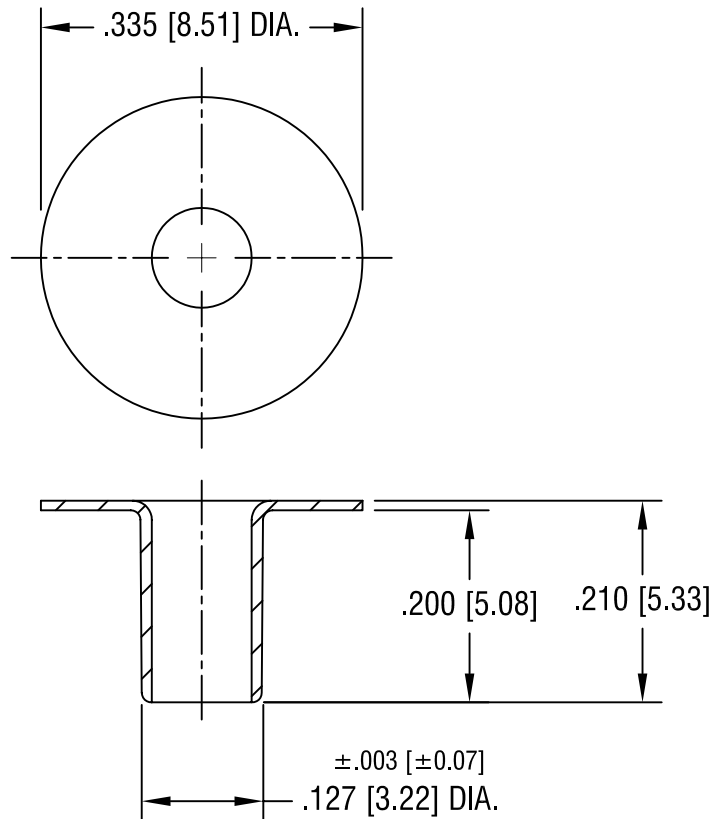


THIS DOCUMENT IS THE PROPERTY OF
KEYSTONE ELECTRONICS CORP. AND
SHALL NOT BE REPRODUCED, DISTRIBUTED
OR USED AS A BASIS FOR MANUFACTURE
WITHOUT PRIOR WRITTEN PERMISSION
FROM KEYSTONE ELECTRONICS CORP.



KEYSTONE ELECTRONICS CORP.			
ASTORIA, N.Y. 11105-2017			
PART NAME		CONTACT EYELET	
MATERIAL		.010 [0.25] TH'K BRASS	
FINISH		DRN BY	DATE
NICKEL PLATE		BOONE	4.19.82
		APP'D	SCALE
		LN	5X
TOLERANCES	INCH [MM]	CODE	DWG NO.
DECIMAL	± .005 [± 0.15]	C	4021
ANGULAR	± 1°		
UNLESS OTHERWISE SPECIFIED			

7.30.86	REVISED	A
DATE	DESCRIPTION	REV.