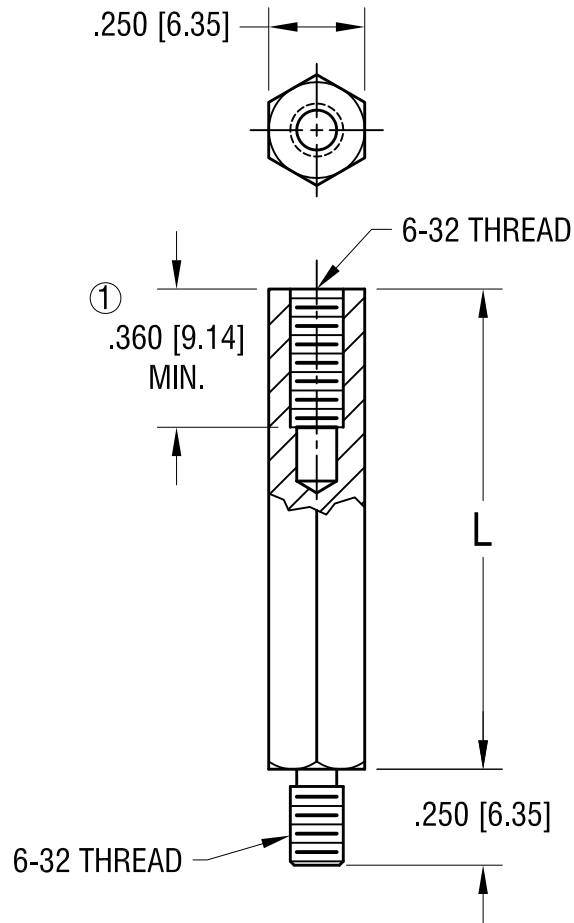


THIS DOCUMENT IS THE PROPERTY OF
KEYSTONE ELECTRONICS CORP. AND
SHALL NOT BE REPRODUCED, DISTRIBUTED
OR USED AS A BASIS FOR MANUFACTURE
WITHOUT PRIOR WRITTEN PERMISSION
FROM KEYSTONE ELECTRONICS CORP.



PART NO.	'L' DIM.
8420	1.250 [31.75]
8421	1.375 [34.93]
8422	1.500 [38.10]
8423	1.625 [41.28]
8424	1.750 [44.45]
8425	2.000 [50.80]

KEYSTONE ELECTRONICS CORP.			
ASTORIA, N.Y. 11105-2017			
PART NAME			
HEX M/F STANDOFF			
MATERIAL			
ALUMINUM			
FINISH		DRN BY	DATE
CLEAR IRIDITE		BOONE	8.26.96
		APP'D	SCALE
			2X
TOLERANCES	INCH [MM]	CODE	DWG NO.
DECIMAL	$\pm .005$ [± 0.15]	C	8420-8425
ANGULAR	$\pm 1^\circ$		
UNLESS OTHERWISE SPECIFIED			

9/12/14	PER ECN14-091, ① WAS .375	A
DATE	DESCRIPTION	REV.