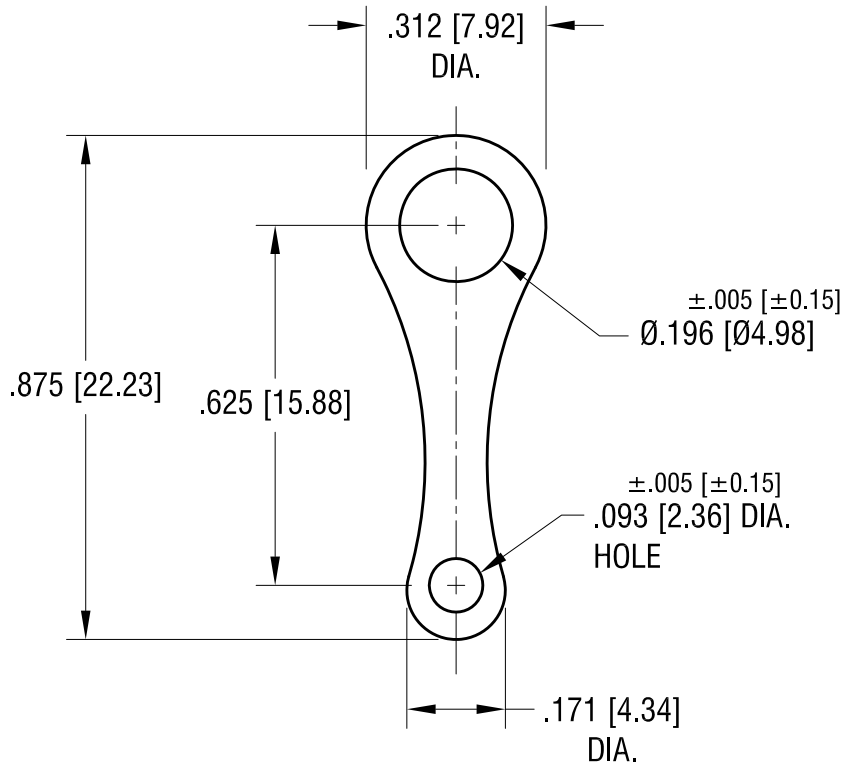


THIS DOCUMENT IS THE PROPERTY OF  
KEYSTONE ELECTRONICS CORP. AND  
SHALL NOT BE REPRODUCED, DISTRIBUTED  
OR USED AS A BASIS FOR MANUFACTURE  
WITHOUT PRIOR WRITTEN PERMISSION  
FROM KEYSTONE ELECTRONICS CORP.

ACTUAL SIZE



**KEYSTONE ELECTRONICS CORP.**

www.keyelco.com • ASTORIA, N.Y. 11105-2017 • Tel (718) 956-8900

PART NAME

SOLDER TERMINAL LUG

MATERIAL

.020 [0.50] TH'K BRASS

FINISH

MATTE TIN PLATE

DRN BY

NT

DATE

5.15.14

APP'D

LN

SCALE

3X

TOLERANCES

INCH [MM]

DECIMAL ±.015 [±0.38]

CODE

C

DWG NO.

7310

ANGULAR ± 1°  
UNLESS OTHERWISE SPECIFIED

DATE

DESCRIPTION

REV.