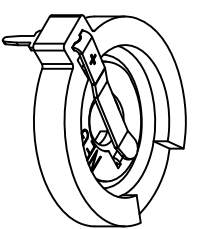
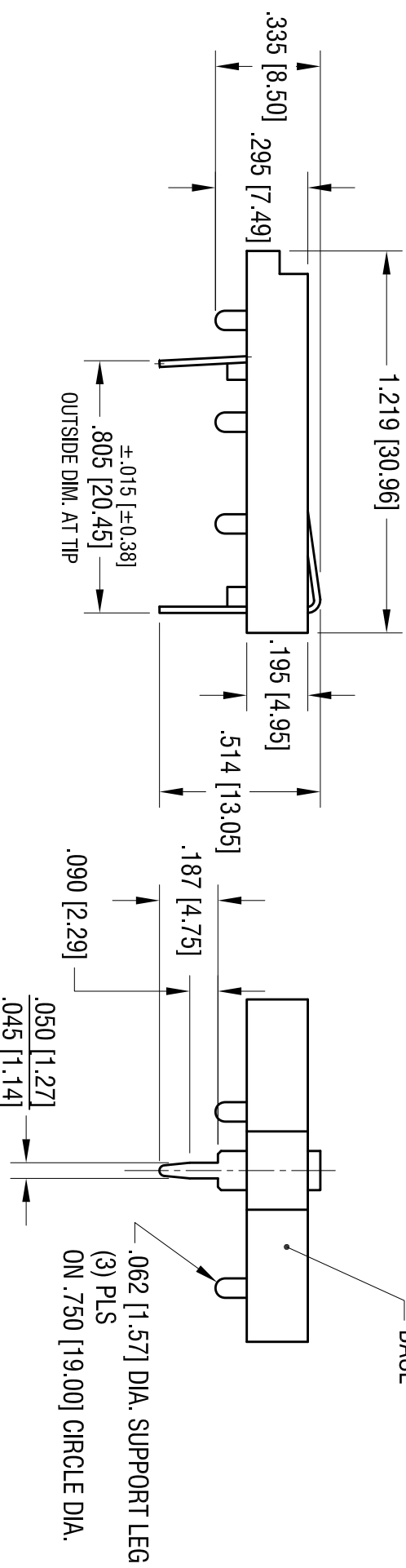
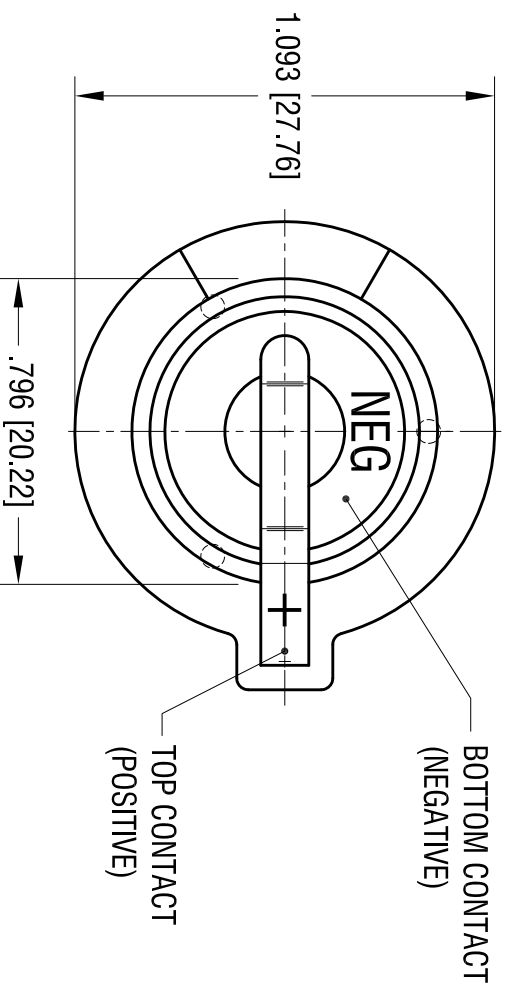
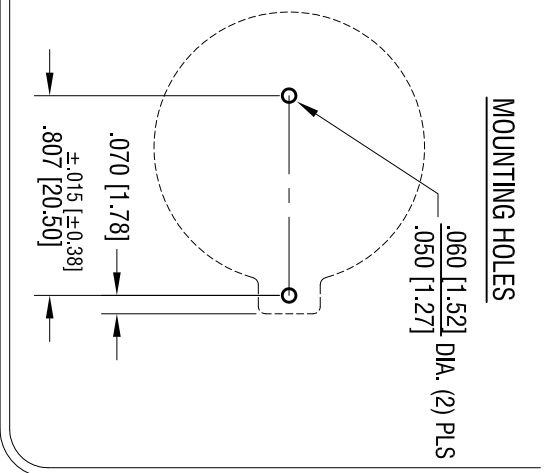


DATE	DESCRIPTION	REV.
9.20.04	CHANGE AS PER ECN 04-113	E
11.02.11	CHANGE AS PER ECN 11-143	F
9.14.15	CHANGE AS PER ECN 15-092	G



ACTUAL SIZE

- NOTES:
1. BASE:  
MATEL - PBT (UL 94V-0), COLOR BLACK
  2. CONTACTS (TOP AND BOTTOM):  
MATEL - .020 [0.50] THK SPRING STEEL  
FINISH: TIN NICKEL PLATE

<b>KEYSTONE ELECTRONICS CORP.</b>			
www.keystec.com • ASTORIA, N.Y. 11105-2017 • Tel (718) 956-8900			
PART NAME <b>COIN CELL PC BATTERY HOLDER</b>			
MATERIAL <b>AS NOTED</b>			
FINISH <b>AS NOTED</b>		DRN BY <b>BOONE</b>	DATE <b>8.15.84</b>
TOLERANCES DECIMAL ± .010 [± 0.25] ANGULAR ± 1°		CODE <b>C</b>	DWG NO. <b>106</b>
UNLESS OTHERWISE SPECIFIED			