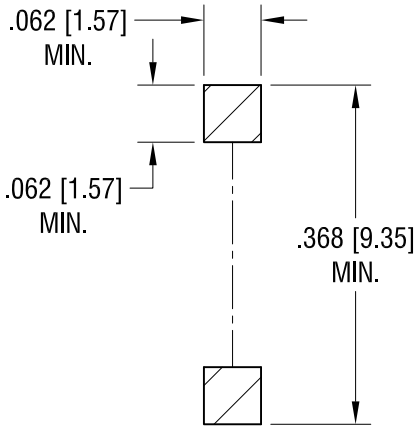
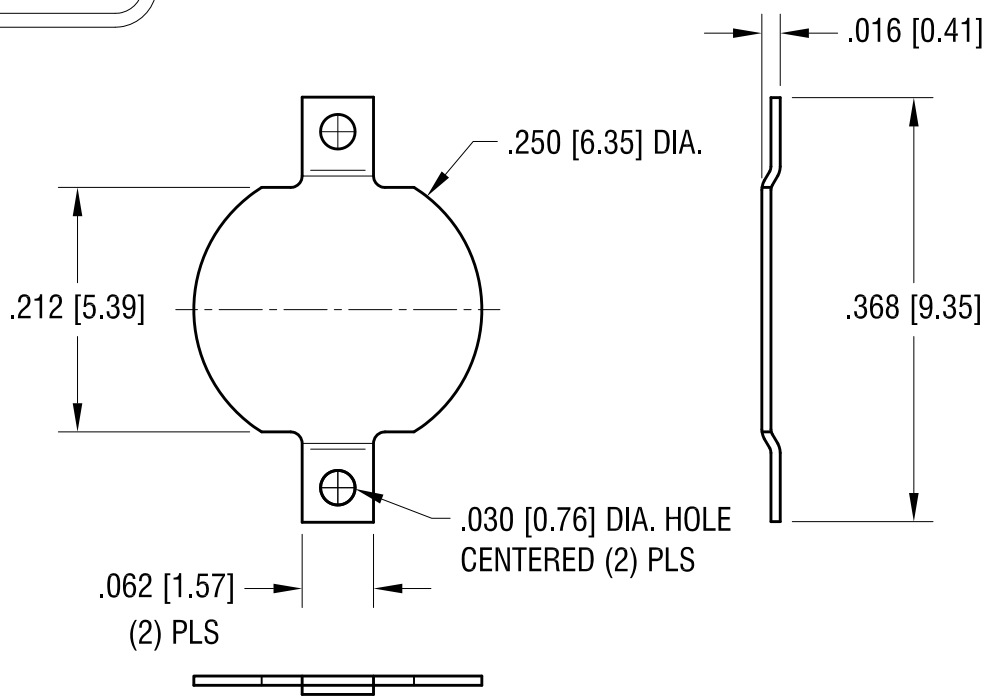
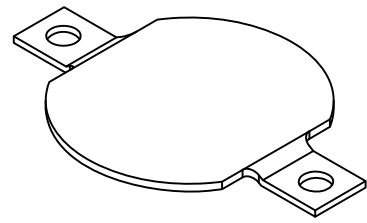


THIS DOCUMENT IS THE PROPERTY OF KEYSTONE ELECTRONICS CORP. AND SHALL NOT BE REPRODUCED, DISTRIBUTED OR USED AS A BASIS FOR MANUFACTURE WITHOUT PRIOR WRITTEN PERMISSION FROM KEYSTONE ELECTRONICS CORP.



MOUNTING PAD LAYOUT



**KEYSTONE ELECTRONICS CORP.**

www.keyelco.com • ASTORIA, N.Y. 11105-2017 • Tel (718) 956-8900

PART NAME  
COIN CELL SM NEGATIVE CONTACT

MATERIAL  
.008 [.20] TH'K BRASS

FINISH MATTE TIN PLATE	DRN BY NT	DATE 11.02.09
	APP'D LN	SCALE 6X

TOLERANCES DECIMAL ANGULAR UNLESS OTHERWISE SPECIFIED	INCH [MM] ± .005 [± 0.13]	CODE C	DWG NO. 2981
--	------------------------------	-----------	-----------------

DATE	DESCRIPTION	REV.