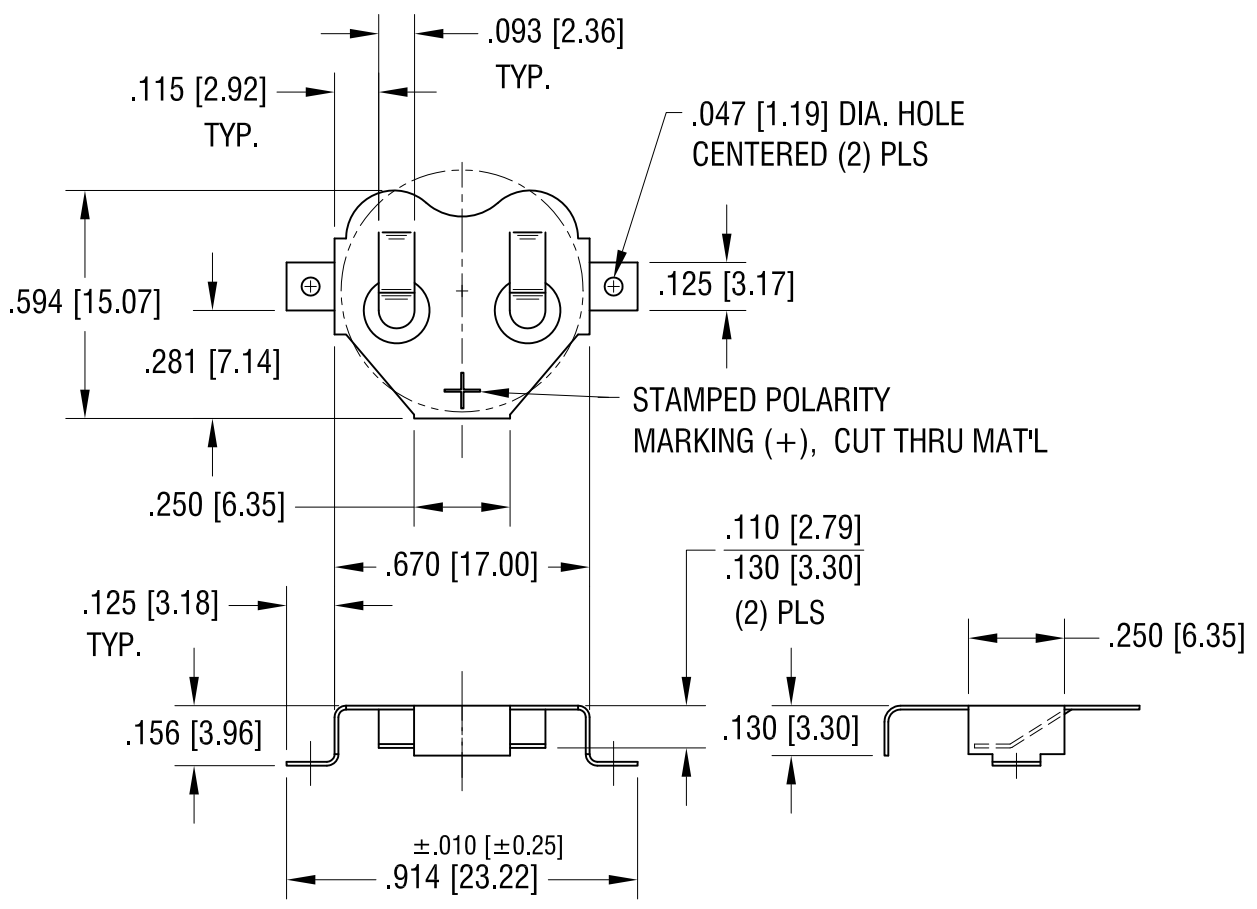
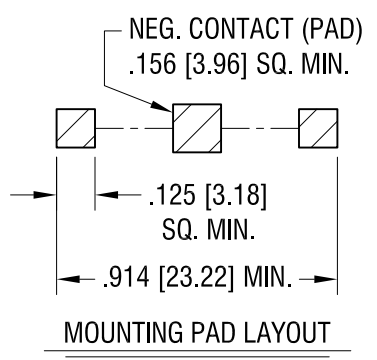
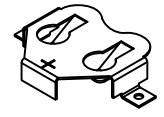


THIS DOCUMENT IS THE PROPERTY OF KEYSTONE ELECTRONICS CORP. AND SHALL NOT BE REPRODUCED, DISTRIBUTED OR USED AS A BASIS FOR MANUFACTURE WITHOUT PRIOR WRITTEN PERMISSION FROM KEYSTONE ELECTRONICS CORP.

ACTUAL SIZE



KEYSTONE ELECTRONICS CORP.

www.keyelco.com • ASTORIA, N.Y. 11105-2017 • Tel (718) 956-8900

PART NAME
16mm SM COIN CELL CLIP

MATERIAL
.010 [0.25] TH'K PHOSPHOR BRONZE

FINISH
TIN NICKEL PLATE

DRN BY BOONE DATE 3.15.01

APP'D LN SCALE 2X

TOLERANCES INCH [MM]
DECIMAL ±.005 [±0.15]
ANGULAR ± 1°
UNLESS OTHERWISE SPECIFIED

CODE
C

DWG NO.
3012

12.19.16	CHANGE AS PER ECN 16-110	H
10.28.16	CHANGE AS PER ECR 16-075	F
8.30.07	CHANGE AS PER ECN 07-054	E
DATE	DESCRIPTION	REV.