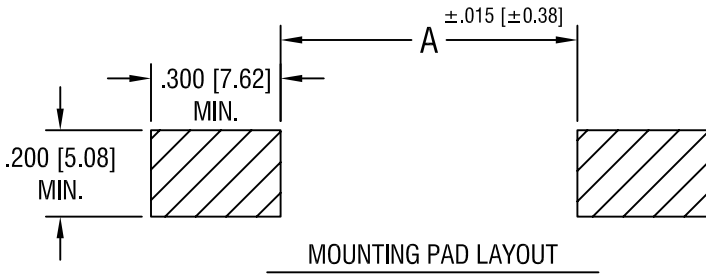
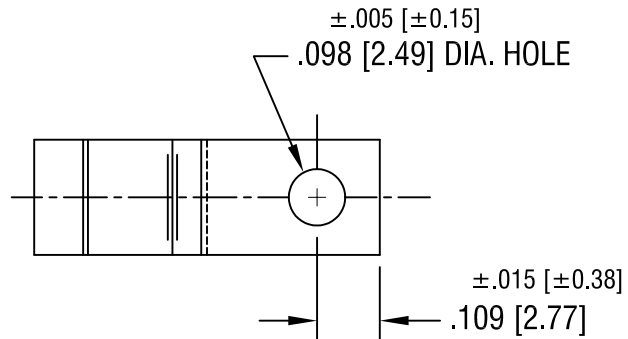
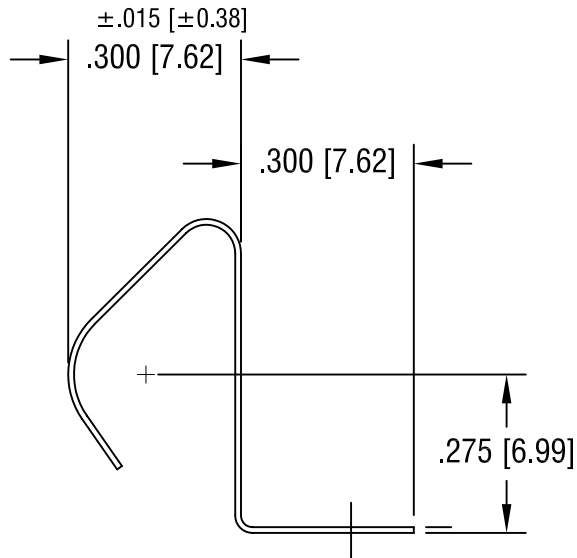
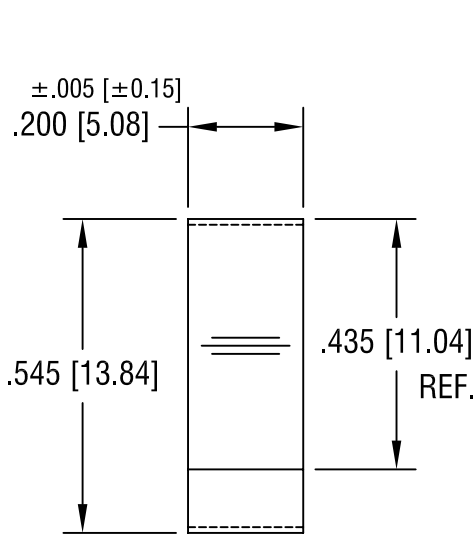


THIS DOCUMENT IS THE PROPERTY OF KEYSTONE ELECTRONICS CORP. AND SHALL NOT BE REPRODUCED, DISTRIBUTED OR USED AS A BASIS FOR MANUFACTURE WITHOUT PRIOR WRITTEN PERMISSION FROM KEYSTONE ELECTRONICS CORP.



FOR BATTERY SIZE:	'A' DIM.
A	2.170 [55.12]
AA	2.380 [60.45]



NOTE:

1. HEAT TREAT TO SPRING TEMPER.

**KEYSTONE ELECTRONICS CORP.**

ASTORIA, N.Y. 11105-2017

PART NAME BATTERY CONTACT, SURFACE MOUNT			
MATERIAL .010 [.25] TH'K ANNEALED SPRING STEEL			
FINISH TIN NICKEL PLATE		DRN BY BOONE	DATE 3.16.98
		APP'D LN	SCALE 3X
TOLERANCES INCH [MM] DECIMAL ±.010 [±0.25] ANGULAR ± 1° UNLESS OTHERWISE SPECIFIED		CODE C	DWG NO. 5231

8.17.04	CHANGE AS PER ECN 04-058	D
DATE	DESCRIPTION	REV.