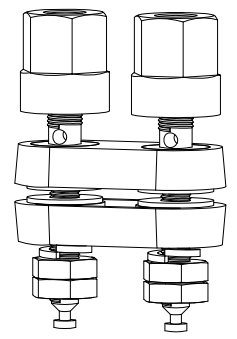
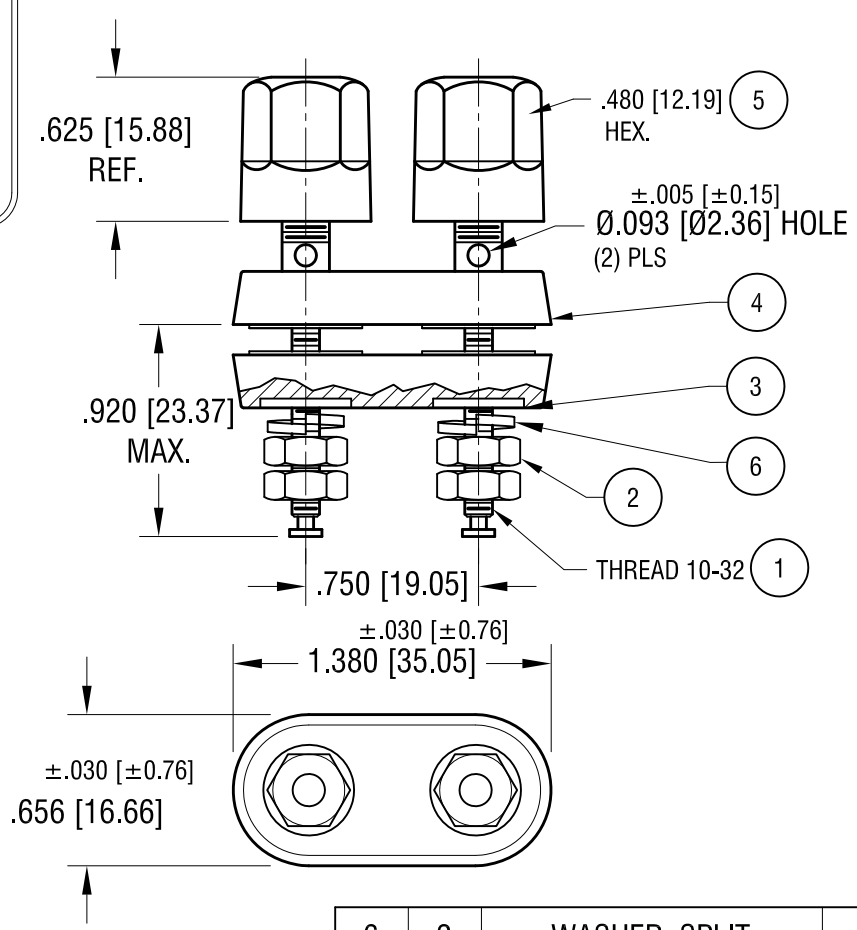
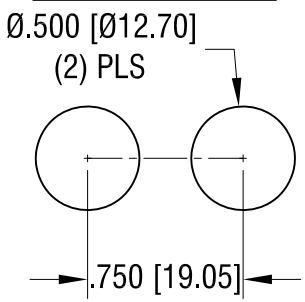


THIS DOCUMENT IS THE PROPERTY OF KEYSTONE ELECTRONICS CORP. AND SHALL NOT BE REPRODUCED, DISTRIBUTED OR USED AS A BASIS FOR MANUFACTURE WITHOUT PRIOR WRITTEN PERMISSION FROM KEYSTONE ELECTRONICS CORP.

**MTG HOLE LAYOUT**



NO.	QTY	DESCRIPTION	MAT'L	FINISH
6	2	WASHER, SPLIT	STEEL	GOLD PL.
5	2	HEAD, (1) RED, (1) BLK	NYLON	-
4	2	WASHER, INSULATOR	NYLON	-
3	2	WASHER, INSERT	STEEL	GOLD PL.
2	4	NUT	BRASS	GOLD PL.
1	2	SHAFT	BRASS	GOLD PL.

**KEYSTONE ELECTRONICS CORP.**  
 www.keyelco.com • ASTORIA, N.Y. 11105-2017 • Tel (718) 956-8900

PART NAME: STANDARD 'DUAL' BINDING POST

MATERIAL: AS NOTED

FINISH: AS NOTED

DRN BY: NT      DATE: 2.11.09  
 APP'D: LN      SCALE: 1.2X

TOLERANCES INCH [MM]  
 DECIMAL ±.010 [±0.25]  
 ANGULAR ± 1°  
 UNLESS OTHERWISE SPECIFIED

CODE: C

DWG NO. **4109**

DATE	DESCRIPTION	REV.
8.14.12	CHANGE AS PER ECN 12-106	C
2.11.09	CHANGE AS PER ECN 09-010	B