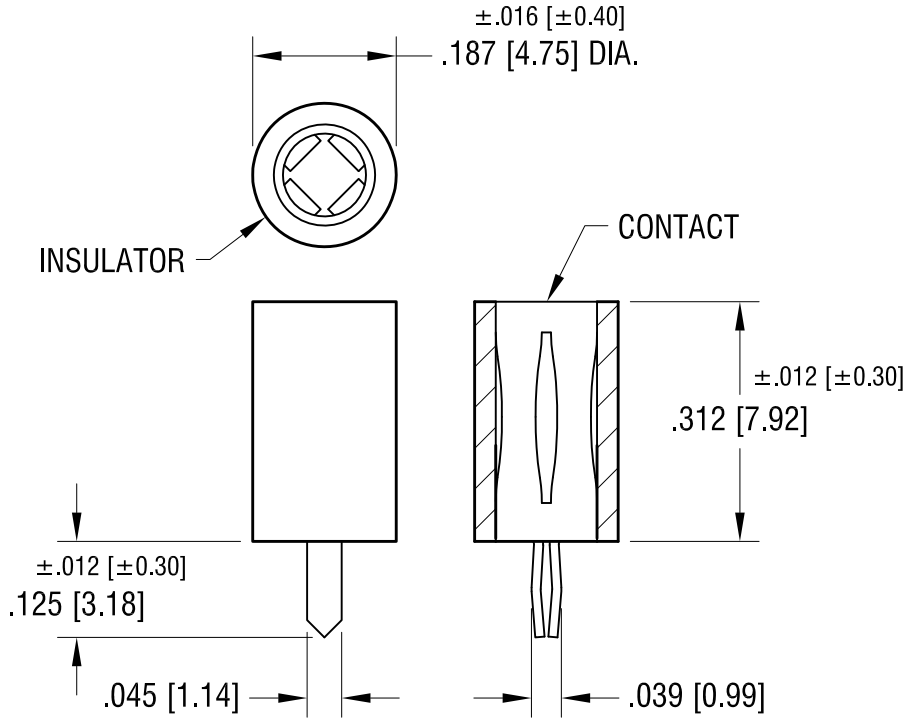


THIS DOCUMENT IS THE PROPERTY OF
KEYSTONE ELECTRONICS CORP. AND
SHALL NOT BE REPRODUCED, DISTRIBUTED
OR USED AS A BASIS FOR MANUFACTURE
WITHOUT PRIOR WRITTEN PERMISSION
FROM KEYSTONE ELECTRONICS CORP.



PART NO.	BODY COLOR
6042	WHITE
6043	RED
6044	BLACK
6045	YELLOW
6046	GREEN
6047	BLUE

NOTES:

- INSULATOR:
MAT'L - NYLON 6/6
- CONTACT :
MAT'L - BERYLLIUM COPPER, SILVER PLATE

DATE	DESCRIPTION	REV.
1.02.14	CHANGE AS PER ECN 14-001	D
4.29.08	CHANGE AS PER ECN 08-103	C
4.18.08	CHANGE AS PER ECN 08-102	B
8.24.07	CHANGE AS PER ECN 07-048	A

KEYSTONE ELECTRONICS CORP.
www.keyelco.com • ASTORIA, N.Y. 11105-2017 • Tel (718) 956-8900

PART NAME: **SNAP-IN VERTICAL PC TEST JACK**

MATERIAL: **AS NOTED**

FINISH: AS NOTED	DRN BY: BOONE	DATE: 12.6.06
	APP'D: LN	SCALE: 4X

TOLERANCES INCH [MM]
DECIMAL $\pm .005$ [± 0.15]
ANGULAR $\pm 1^\circ$
UNLESS OTHERWISE SPECIFIED

CODE: **C**

DWG NO.: **6042 - 6047**