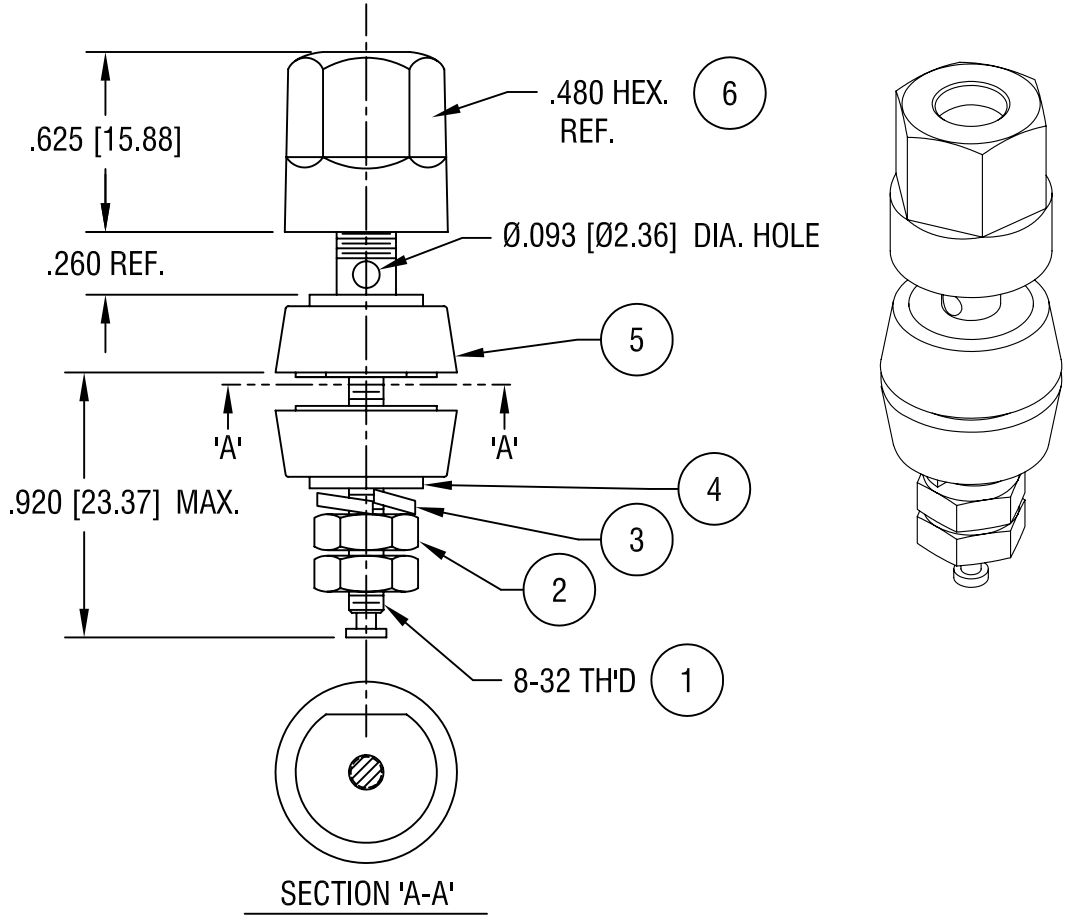


THIS DOCUMENT IS THE PROPERTY OF KEYSTONE ELECTRONICS CORP. AND SHALL NOT BE REPRODUCED, DISTRIBUTED OR USED AS A BASIS FOR MANUFACTURE WITHOUT PRIOR WRITTEN PERMISSION FROM KEYSTONE ELECTRONICS CORP.



SECTION 'A-A'

P/N	TH'D	COLOR
4091	8-32	RED
4092	8-32	BLACK

NO.	QTY	DESCRIPTION	MAT'L	FINISH
6	1	HEAD	NYLON	-
5	2	WASHER, INSULATOR	NYLON	-
4	2	WASHER, INSERT	BRASS	NICKEL PL.
3	1	WASHER, SPLIT	BRASS	NICKEL PL.
2	2	NUT	BRASS	NICKEL PL.
1	1	SHAFT 8-32 TH'D	BRASS	NICKEL PL.

KEYSTONE ELECTRONICS CORP.

ASTORIA, N.Y. 11105-2017

PART NAME		STANDARD 'HEX' BINDING POST	
MATERIAL		AS NOTED	
FINISH		AS NOTED	
DRN BY	BOONE	DATE	11.17.93
APP'D	LN	SCALE	X
TOLERANCES	INCH [MM]	CODE	DWG NO.
DECIMAL	± .005 [± 0.15]	C/M	4091-4092
ANGULAR	± 1°		
UNLESS OTHERWISE SPECIFIED			

DATE	DESCRIPTION	REV.
6.02.08	CHANGE AS PER ECN 08-107	B
2.17.06	CHANGE AS PER ECN 06-013	A