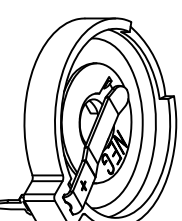
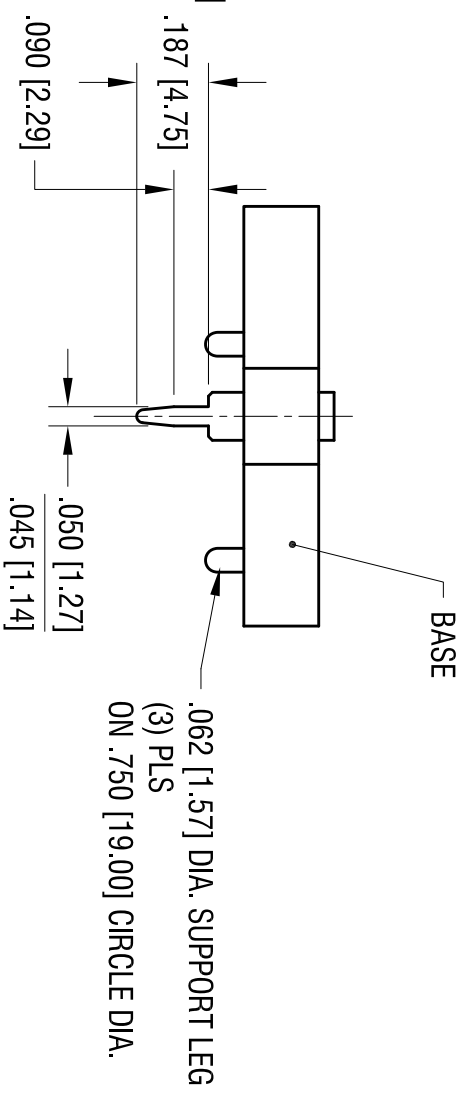
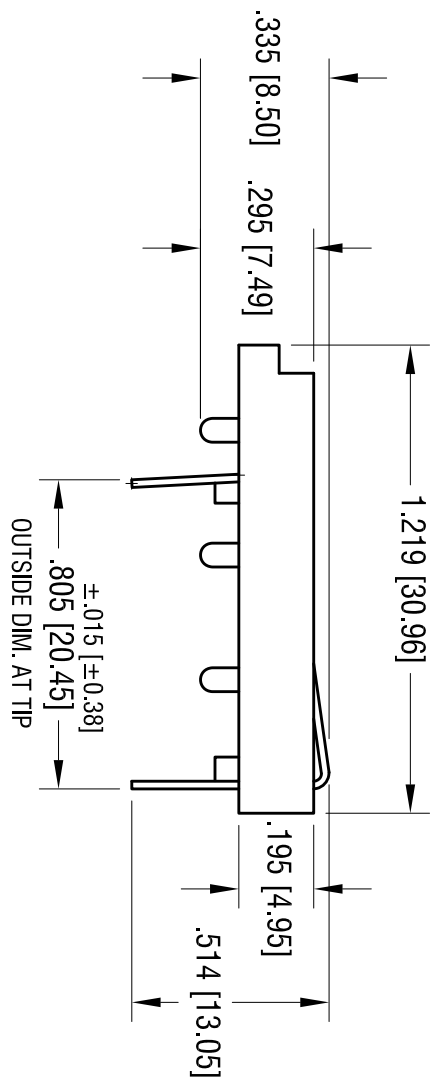
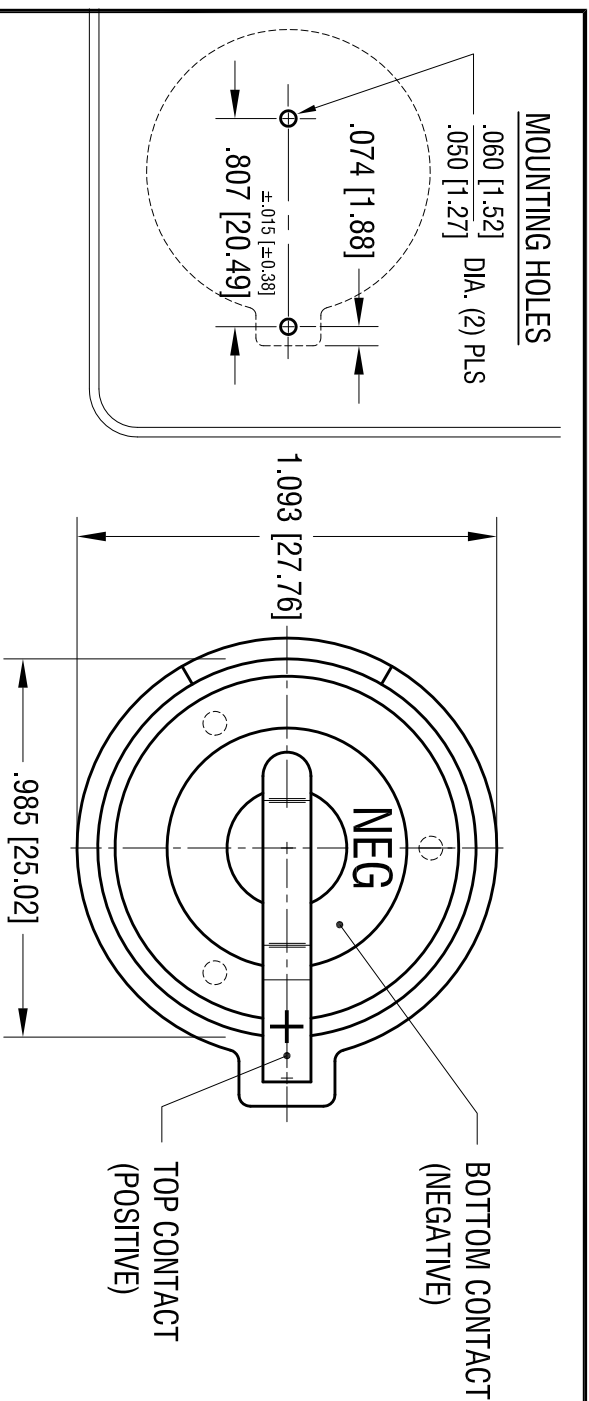


DATE	DESCRIPTION	REV.
9.20.04	CHANGE AS PER ECN 04-112	E
11.2.11	CHANGE AS PER ECN 11-143	F
9.14.15	CHANGE AS PER ECN 15-092	G



ACTUAL SIZE

- NOTES:**
1. BASE:
MAT'L - PBT (UL 94V-0), COLOR BLACK
 2. CONTACTS (TOP AND BOTTOM):
MAT'L - .020 [0.50] THK SPRING STEEL
FINISH: TIN NICKEL PLATE

KEYSTONE ELECTRONICS CORP.			
www.keystone.com • ASTORIA, N.Y. 11105-2017 • Tel (718) 956-8900			
PART NAME COIN CELL PC BATTERY HOLDER			
MATERIAL AS NOTED			
FINISH AS NOTED		DRN BY BOONE	
DATE 8.15.84		SCALE 2X	
TOLERANCES DECIMAL $\pm .010$ [± 0.25] ANGULAR $\pm 1^\circ$		CODE C	
DWG NO. 105			

THIS DOCUMENT IS THE PROPERTY OF KEYSTONE ELECTRONICS CORP. AND SHALL NOT BE REPRODUCED, DISTRIBUTED OR USED AS A BASIS FOR MANUFACTURE WITHOUT PRIOR WRITTEN PERMISSION FROM KEYSTONE ELECTRONICS CORP.