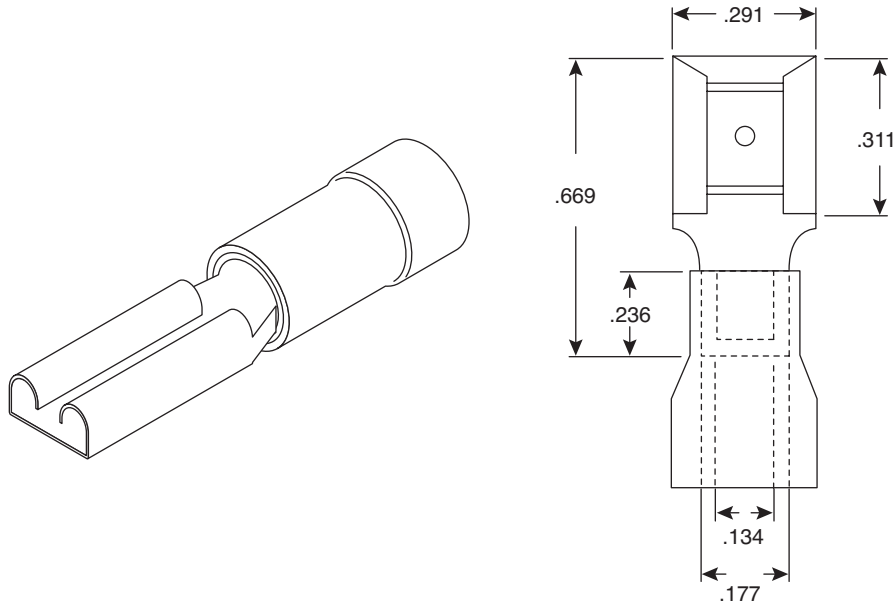


Vinyl Disconnect

159-1209



Vinyl Disconnect



Dimensions: In.

| SPECIFICATIONS | |
|----------------------|----------------------------------|
| Type: | insulated female disconnect |
| Wire size: | 12 - 10AWG (5.5mm ²) |
| Electric current: | 24A max. |
| Electric rating: | 75°C 300V max. |
| Insulation color: | yellow |
| Terminal material: | brass |
| Insulation material: | vinyl |
| Double crimp: | sleeve on barrel |
| Nema tab: | .032 x .250 inches |
| Material thickness: | .016 inches |

Date Last Revised: 10-18-05

Available from Mouser Electronics
1-800-346-6873
www.mouser.com

KC-300738

159-1209