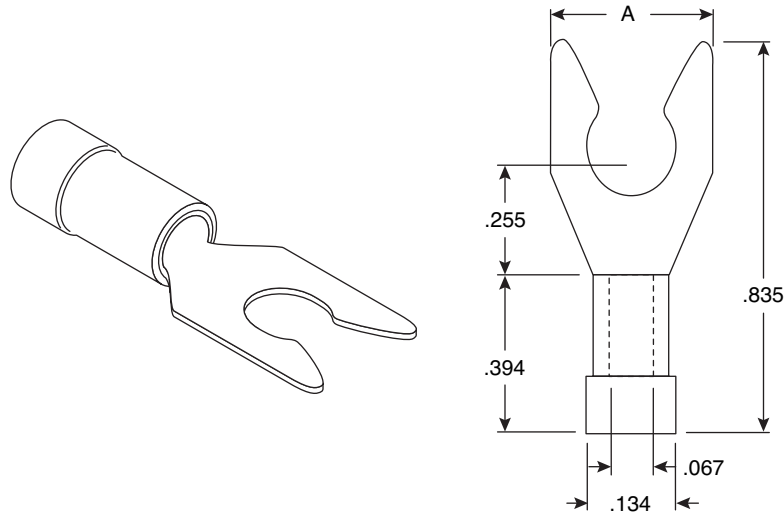


# Locking Spade Terminals

159-2203, 159-2207, 159-2209



Locking Spade Terminals



Dimensions: In.

SPECIFICATIONS	
Type:	insulated locking spade
Wire range:	22~16AWG
Current:	19A max.
Electric rating:	600V @ 75° max.
Terminal material:	brass
Insulation color:	red
Terminal:	copper
Thickness:	.029" (.75mm)

Mouser Stock No.	Stud Size	Dim. In.
		A
159-2203	#6	.252
159-2207	#8	.283
159-2209	#10	.374

Date Last Revised: 6-23-05

Available from Mouser Electronics  
1-800-346-6873  
www.mouser.com

KC-300739

159-2203, 159-2207, 159-2209