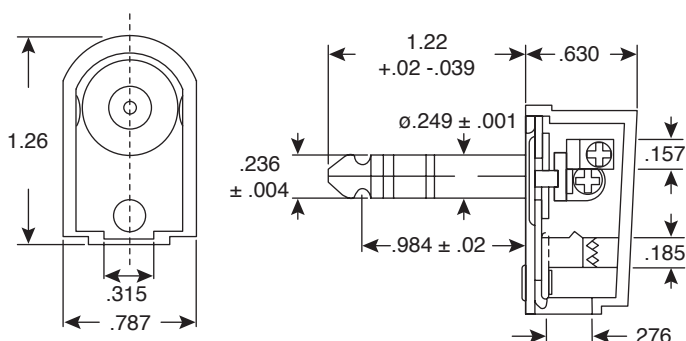
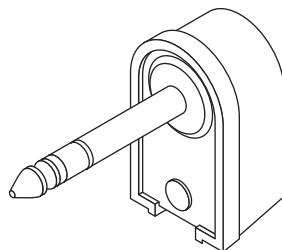


1/4" Stereo Phone Plug

17PP071-EX

KOBICONN

1/4" Stereo Phone Plug



DIMENSIONS IN.

SPECIFICATIONS

Type:	non-shielded 1/4" stereo plug
Breakdown Voltage:	500VAC for 1 minute
Insulation Resistance:	100M Ω min. @ 500VDC
Contact Resistance:	50m Ω max.
Life:	10,000 cycles min.
Tip, Ring, Sleeve:	nickel plated steel
Tip Insulators:	ebonite
Terminal Insulators:	phenol
Terminals, Frame, Screw:	nickel plated steel
Cap:	polypropylene
RoHS Compliant by Exemption	

Date Last Revised: 12-21-05

Available from Mouser Electronics
1-800-346-6873
www.mouser.com

KC-300903

171PP071-EX