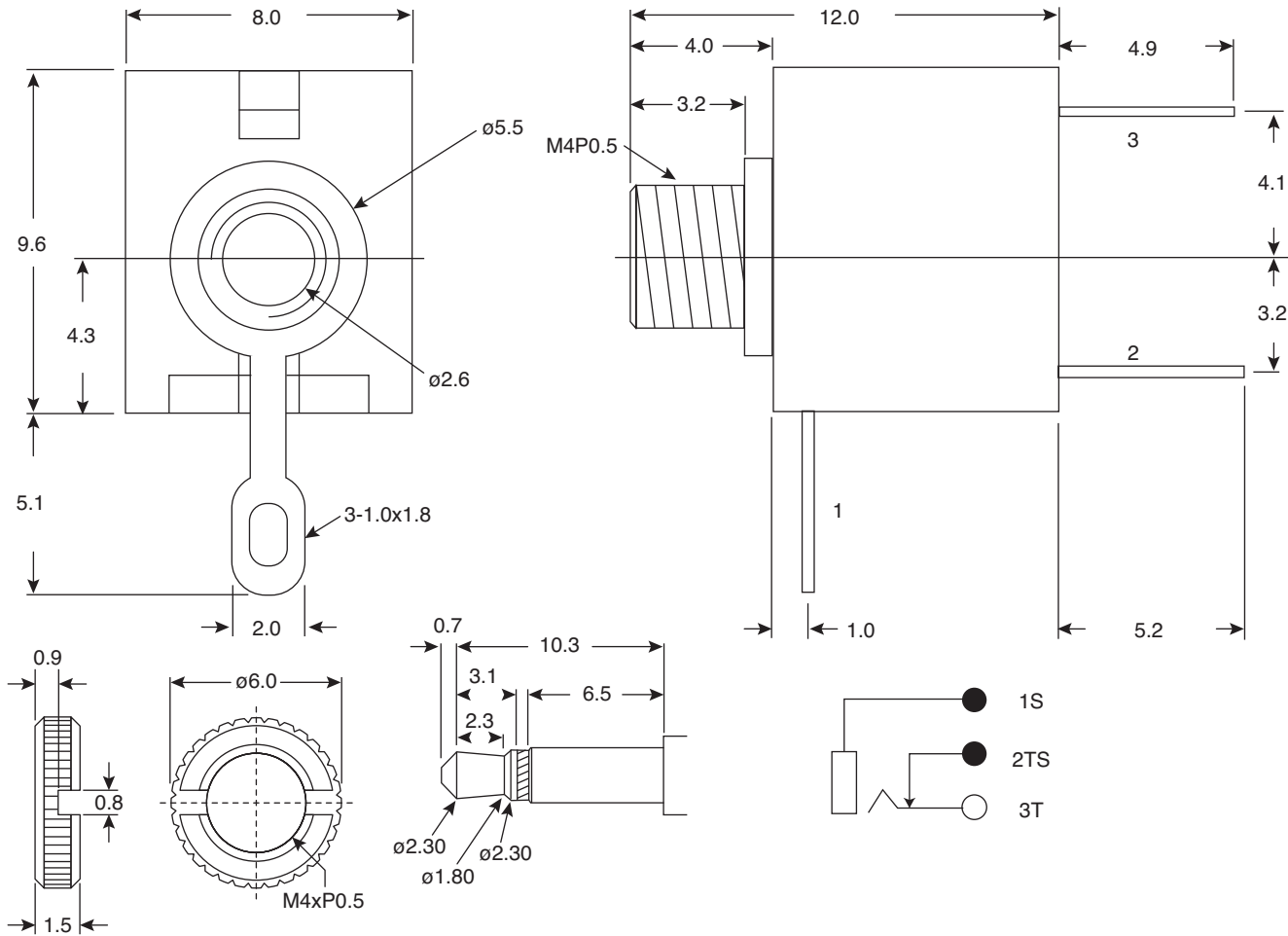


# Phone Jack 2.5mm Mono

161-0250-E



Phone Jack 2.5mm Mono



Dimensions: mm

MATERIAL SPECIFICATIONS	
<b>Housing:</b>	FR52 Gray
<b>Bushing:</b>	Brass Nickel Plated
<b>Tip:</b>	PBS Tin Plated
<b>Tip Shunt:</b>	Brass Tin Plated
<b>Sleeve:</b>	Brass Tin Plated
<b>RoHS Compliant</b>	

Date Last Revised: 09/30/08

Available from Mouser Electronics  
1-800-346-6873 / [www.mouser.com](http://www.mouser.com)

KC-301252

Specifications are subject to change without notice. No liability or warranty implied by this information. Environmental compliance based on producer documentation.

161-0250-E