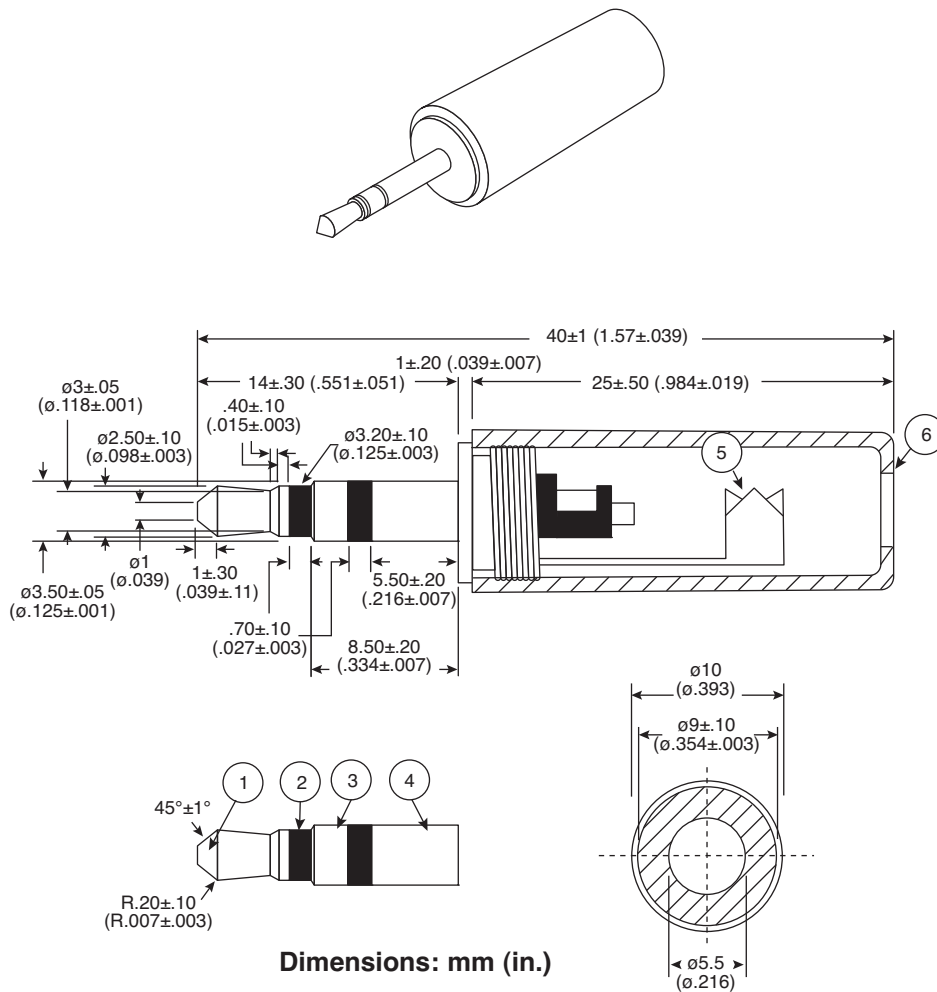


3.5mm Stereo Plug

171-PA3291-1-E

KOBICONN

3.5mm Stereo Plug



SPECIFICATIONS

Insulation Resistance:	100 M Ω min. @ 500VDC
Dielectric Strength:	500VAC for 1 min.

MATERIAL SPECIFICATIONS

Part Name	Material	Finish
1: Tip	Brass	Ni
2: Insulator	ABS, Black	
3 & 4: Sleeve	Brass	Ni
5: Sleeve Terminal	Brass	Ni
6: Cap	ABS, Black	

RoHS Compliant

Date Last Revised: 10-27-08

Available from Mouser Electronics
1-800-346-6873 / www.mouser.com

KC-301205

171-PA3291-1-E