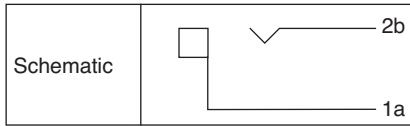
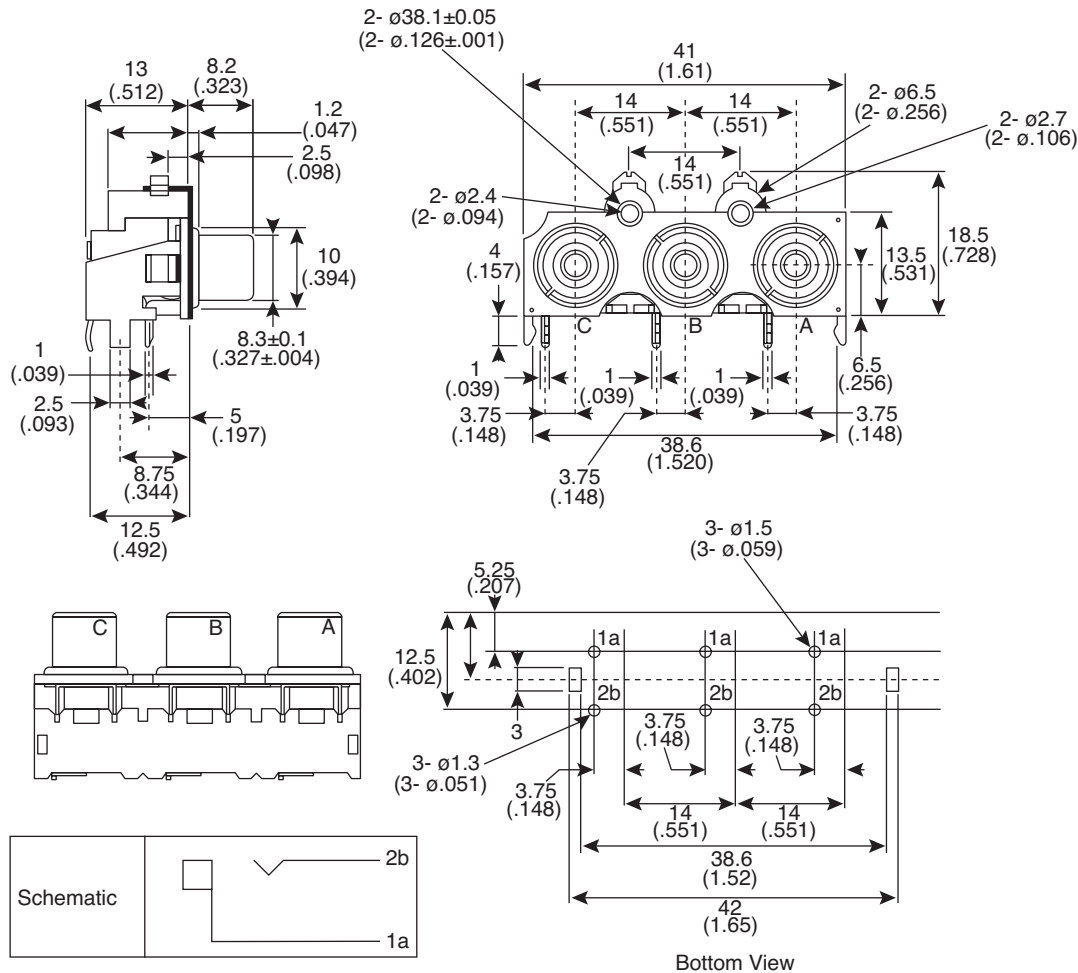


Triple Phono Jacks

161-4222-E, 161-4223-E

KOBICONN

Triple Phono Jacks



Dimensions: mm (In)

MOUSER STOCK NO.	Colors		
	A	B	C
161-4222	Red	Green	Blue
161-4223	Red	White	Yellow

SPECIFICATIONS

Type:	Horizontal Mount Triple Phono
Rating:	2A/34VDC or 34VAC
Temperature:	-25°C ~ +70°C
Contact Resistance:	≤30mΩ
Withstand Voltage:	500VAC for 1 Minute
Insulation Resistance:	≥100MΩ @ 500VDC
Insertion / Extraction Force:	.3Kgf ~ 4Kgf
Wave Soldering Temp.:	230±5° for 3 seconds with 2±.5mm Dip
Terminals:	Tin Plated Brass
Bushing:	Nickel Plated Brass
Housing, Insulation:	ABS

Date Last Revised: 8-18-06

Available from Mouser Electronics
1-800-346-6873
www.mouser.com

KC-301036

161-4222-E, 161-4223-E