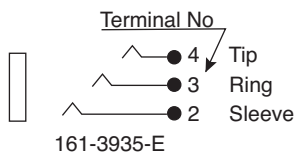
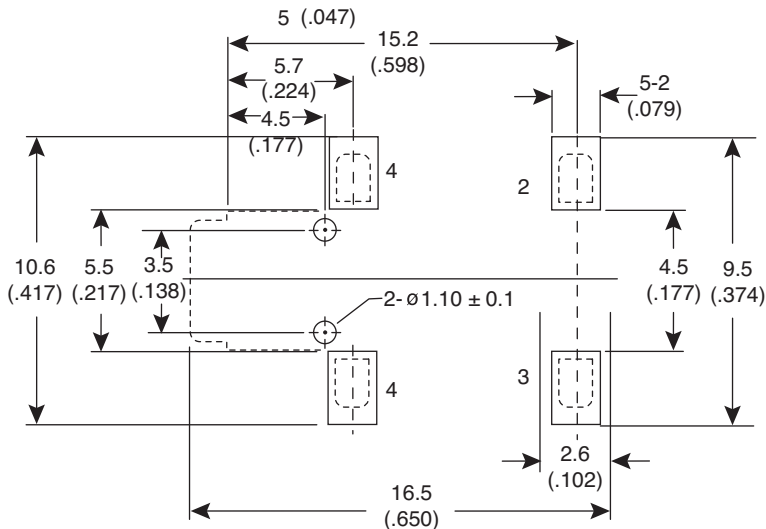
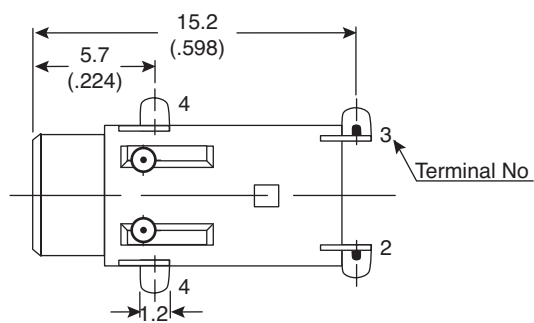
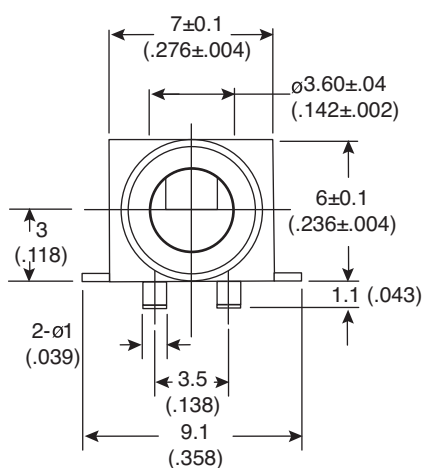
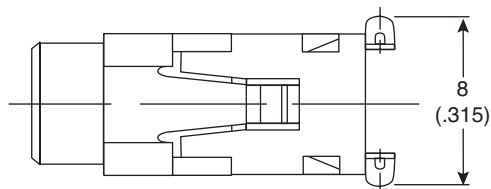
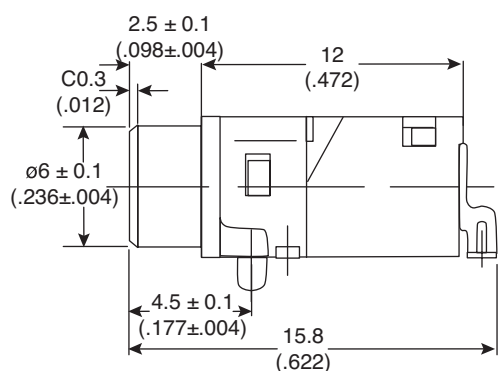


# 3.5mm Earphone Jack

## 161-3935-E

**KOBI**CONN

3.5mm Earphone Jack



**Tolerances:**  
 $X \leq 5 = 0.20$  (.008)  
 $X > 5 = 0.30$  (.012)

PCB Hole & Surface Mount Layout

Dimensions: mm (in.)

SPECIFICATIONS	
<b>Body:</b>	PA66/GF Resin
<b>Contacts:</b>	Silver Plated, Phosphor Bronze
<b>Solder Temp:</b>	340 to 360°
<b>Solder Time:</b>	3 to 4 sec.
Mfg advises this part is not designed for reflow soldering	
RoHS Compliant	

Date Last Revised: 7-3-12

Available from Mouser Electronics  
 1-800-346-6873  
 www.mouser.com

KC-300869

161-3935-E