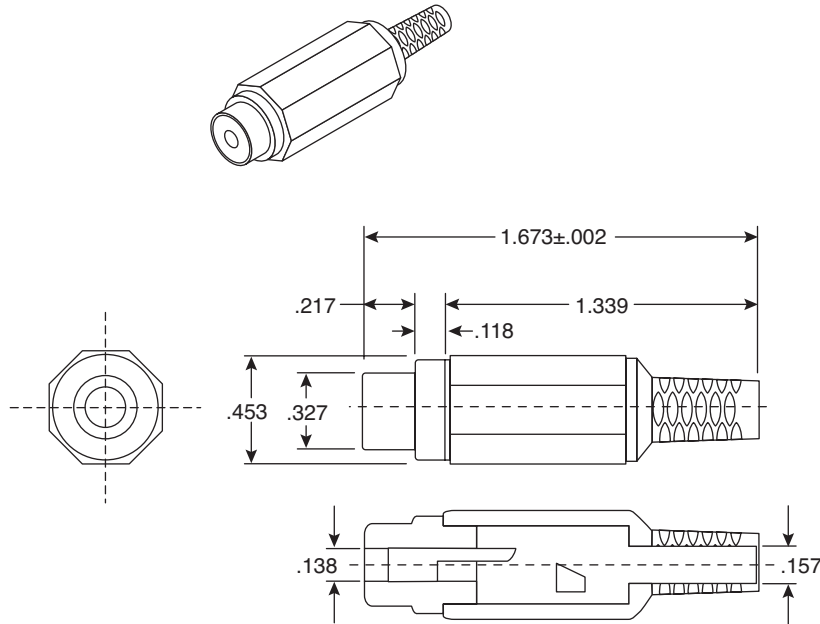


In-Line Phono Jacks



161-4356-E, 161-4357-E, 161-4358-E, 161-4359-E
161-4360-E, 161-4361-E

In-Line Phono Jacks



Dimensions: In.

| MOUSER STOCK NO. | ID Ring Color |
|------------------|---------------|
| 161-4356-E | Red |
| 161-4357-E | White |
| 161-4358-E | Yellow |
| 161-4359-E | Black |
| 161-4360-E | Blue |
| 161-4361-E | Green |

| MATERIAL SPECIFICATIONS | | |
|-------------------------|---------------------|------------|
| Part Name | Material | Max. Temp. |
| Insulator | Bakelite | - - - |
| Body | ABS Resin | 85°C |
| Contact A | Nickel Plated Brass | - - - |
| Contact B | Nickel Plated Steel | - - - |
| Cap | Polyethylene | 80°C |
| RoHS Compliant | | |

| ELECTRICAL SPECIFICATIONS | |
|---------------------------|---------------------|
| Contact Resistance: | 10mΩ max. |
| Insulation Resistance: | 100MΩ min. @ 500VDC |
| Withstand Voltage: | 500VAC for 1 Minute |
| Temperature: | -10°C ~ +50°C |
| Tolerance: | ±0.3mm |

161-4356-E, 161-4357-E, 161-4358-E, 161-4359-E, 161-4360-E, 161-4361-E

Date Last Revised: 04-04-12

Available from Mouser Electronics
1-800-346-6873
www.mouser.com

KC-300925