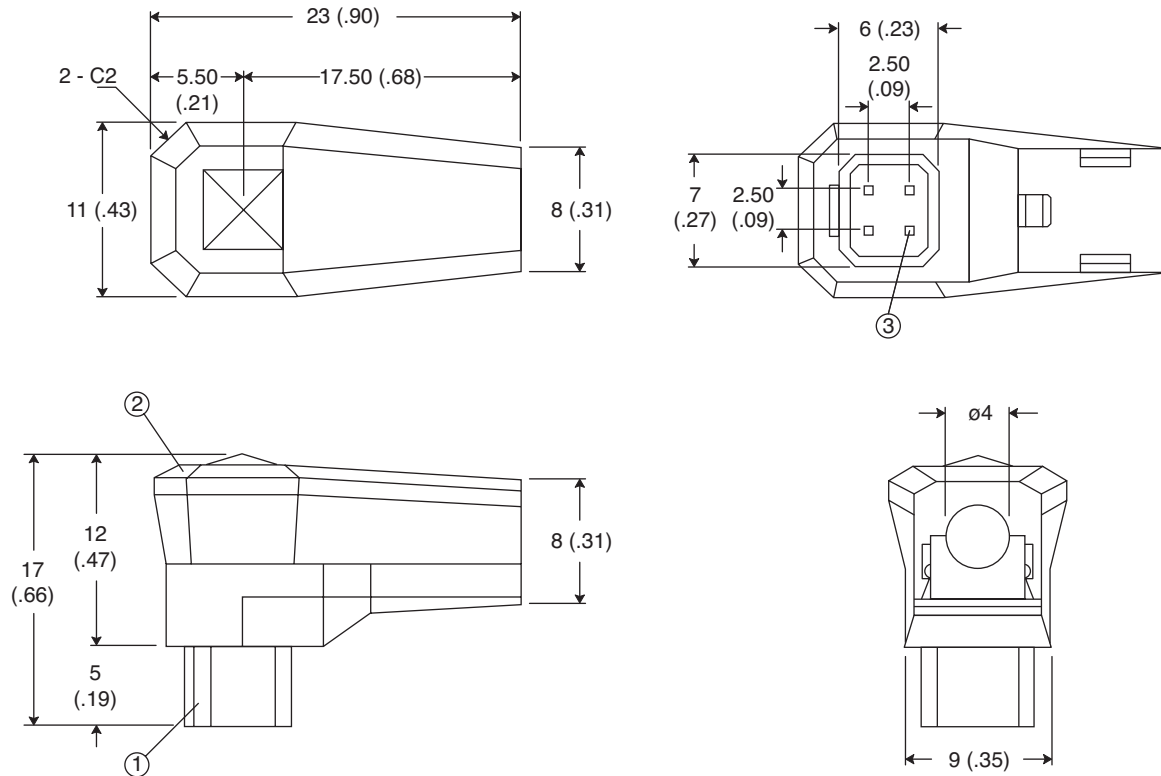


Camera Plug

163-191J-E

KOBI CONN

Camera Plug



Dimensions: mm (In.)

Part	Material	Finish
Body (1)	PBT	---
Cover (2)	PBT	---
Plug Pin (3)	Brass	Ag

SPECIFICATIONS

RoHS Compliant

ELECTRICAL SPECIFICATIONS

Rating:	0.5A 30VDC
Withstand Voltage:	150VAC for 1 minute
Contact Resistance:	20m Ω Max.
Insulation Resistance:	100 VDC, 100M Ω above
Operation Temperature:	-10°C ~ +70°C
Cable Size:	$\phi 2 \sim 4$ mm

Date Last Revised: 12-08-05

Available from Mouser Electronics
1-800-346-6873
www.mouser.com

KC- 300930

163-191J-E