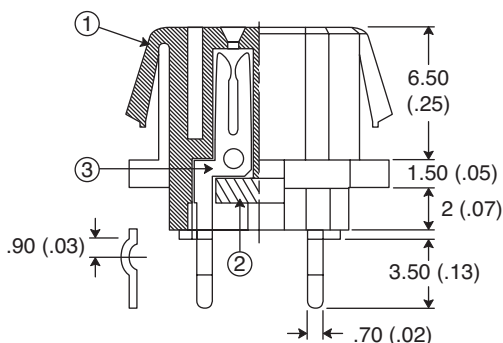
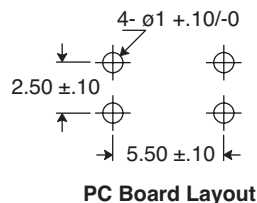
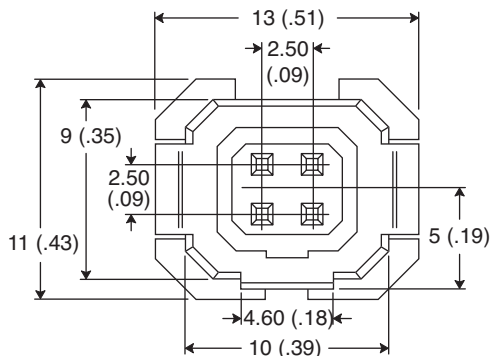


Panel Mount Iris Connector for PCB

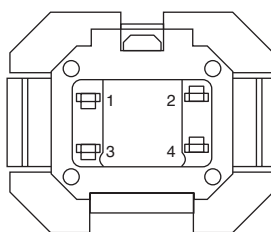
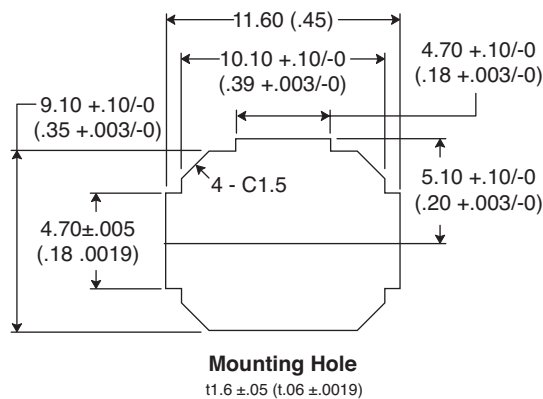
163-158N-2-E



Panel Mount Iris Connector for PCB



- 1. Body, PA
- 2. Base, PF
- 3. Contact. Brass, t0.4



Dimensions: mm (In.)

SPECIFICATIONS

RoHS Compliant

ELECTRICAL SPECIFICATIONS

Rating:	0.5A 30VDC
Withstand Voltage:	150VAC for 1 minute
Contact Resistance:	20m Ω Max.
Insulation Resistance:	100 VDC, 100M Ω above
Operation Temperature:	-10°C ~ +70°C

Date Last Revised: 12-08-05

Available from Mouser Electronics
1-800-346-6873
www.mouser.com

KC- 300933

163-158N-2-E