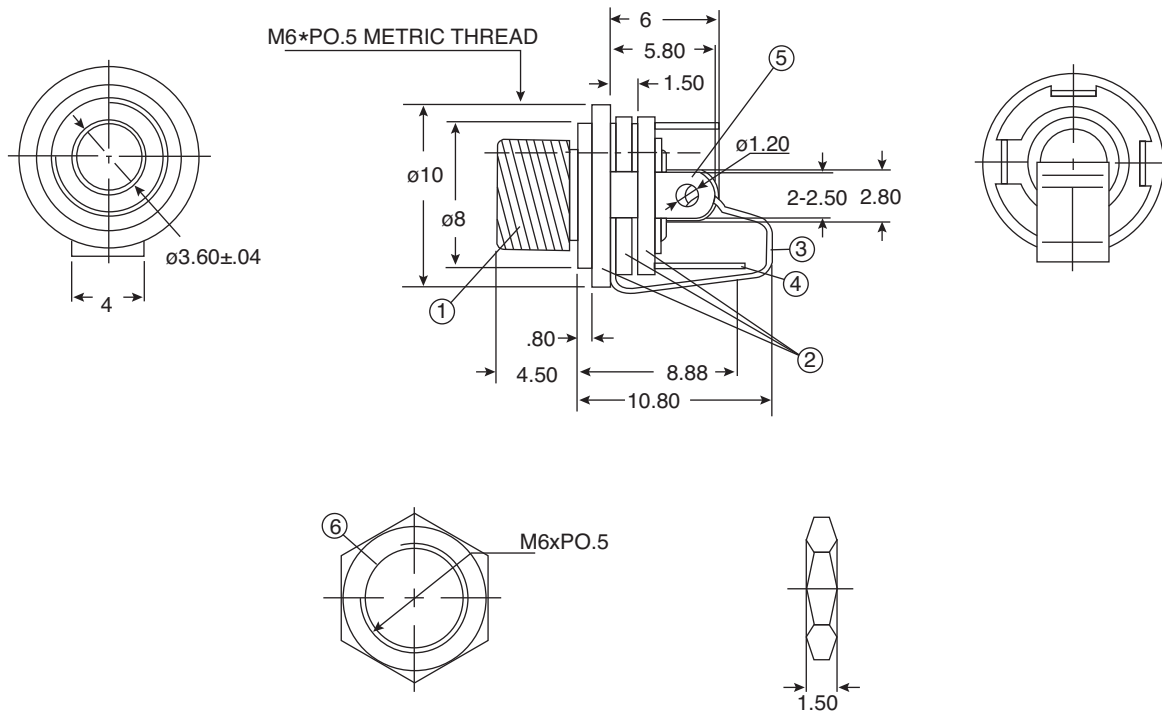
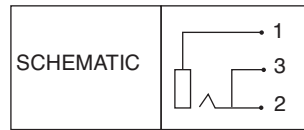


# Mono Phone Jack 3.5mm



161-3142M-E

Mono Phone Jack 3.5mm



Dimensions: mm.

No.	MECHANICAL SPECIFICATIONS	
6	<b>Nut</b>	1.5T Brass, Nickel Plated, Qty. 1
5	<b>Earth Terminal</b>	0.3T Brass, Silver Plated, Qty. 1
4	<b>Break Terminal</b>	0.3T Brass, Silver Plated, Qty. 1
3	<b>Tip Spring</b>	0.4T Phosphor Bronze, Silver Plated, Qty. 1
2	<b>Insulator</b>	Bakelite, Natural, Qty. 3
1	<b>Barrel (W Thread)</b>	Bronze Strip, Finish, Qty. 1

ELECTRICAL SPECIFICATIONS	
<b>Contact Resistance:</b>	30mΩ max.
<b>Insulation Resistance:</b>	100MΩ @ DC 500V
<b>Dielectric Withstand Voltage:</b>	AC 500V for one min.
<b>RoHS Compliant</b>	

Date Last Revised: 09-15-09

Available from Mouser Electronics  
1-800-346-6873 / [www.mouser.com](http://www.mouser.com)

KC-301239

Specifications are subject to change without notice. No liability or warranty implied by this information. Environmental compliance based on producer documentation.

161-3142M-E