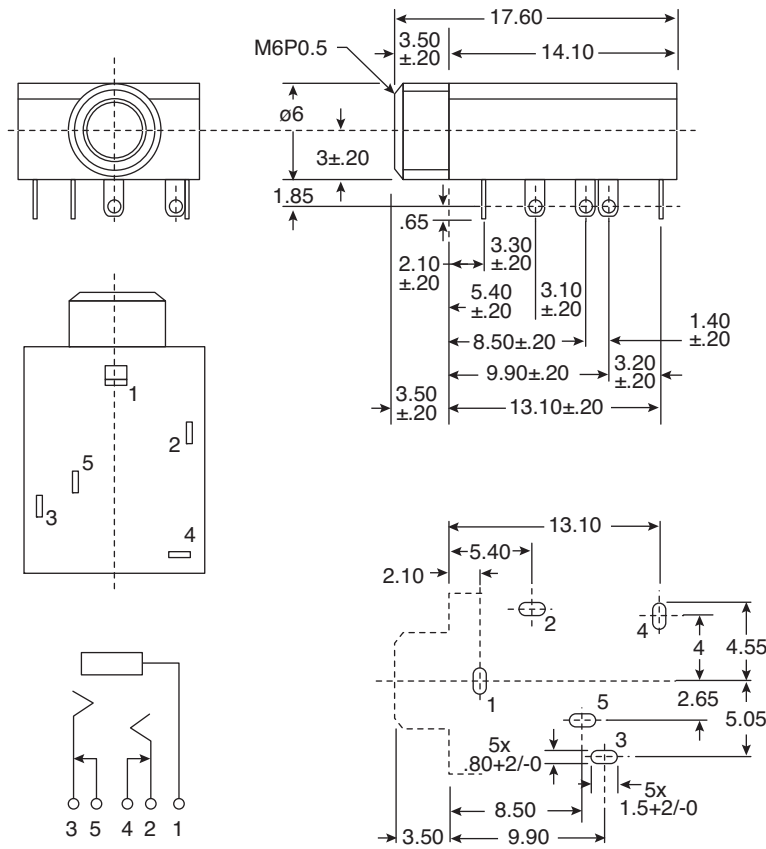


# Stereo Phone Jack 3.5mm



161-352W-C-EX

Stereo Phone Jack 3.5mm



PCB Hole Layout  
(Bottom View)

Dimensions: mm.

RoHS Compliant by exemption

Date Last Revised: 10-3-08

Available from Mouser Electronics  
1-800-346-6873 / [www.mouser.com](http://www.mouser.com)

KC-301282

Specifications are subject to change without notice. No liability or warranty implied by this information. Environmental compliance based on producer documentation.

161-352W-C-EX