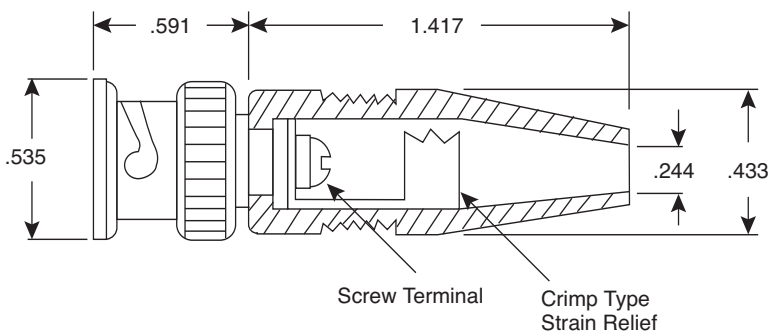
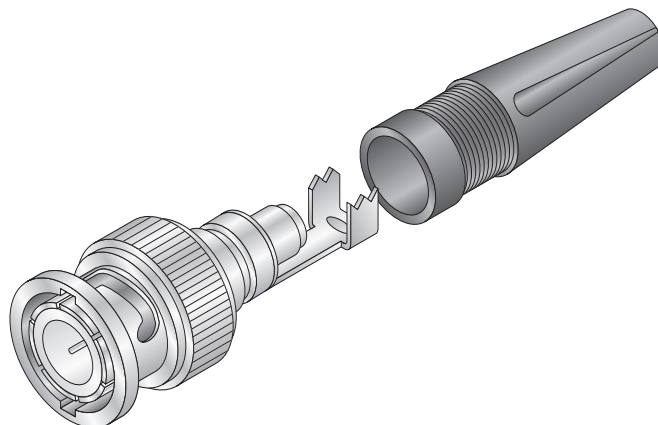


BNC Plug Solderless W/Strain Relief

171-9311



BNC Plug Solderless W/Strian Relief



Dimensions: In.

SPECIFICATIONS	
Boot:	PE, Black
Insulator:	Delrin, White
Contact:	Brass, Nickel
Body:	Brass, Nickel
Tolerances:	0.5-6 = ±0.2mm; 6-30 = ±0.4mm; 30-120 = ±0.6mm

Date Last Revised: 4-20-05

Available from Mouser Electronics
 1-800-346-6873
 www.mouser.com

KC-300583

161-9311