

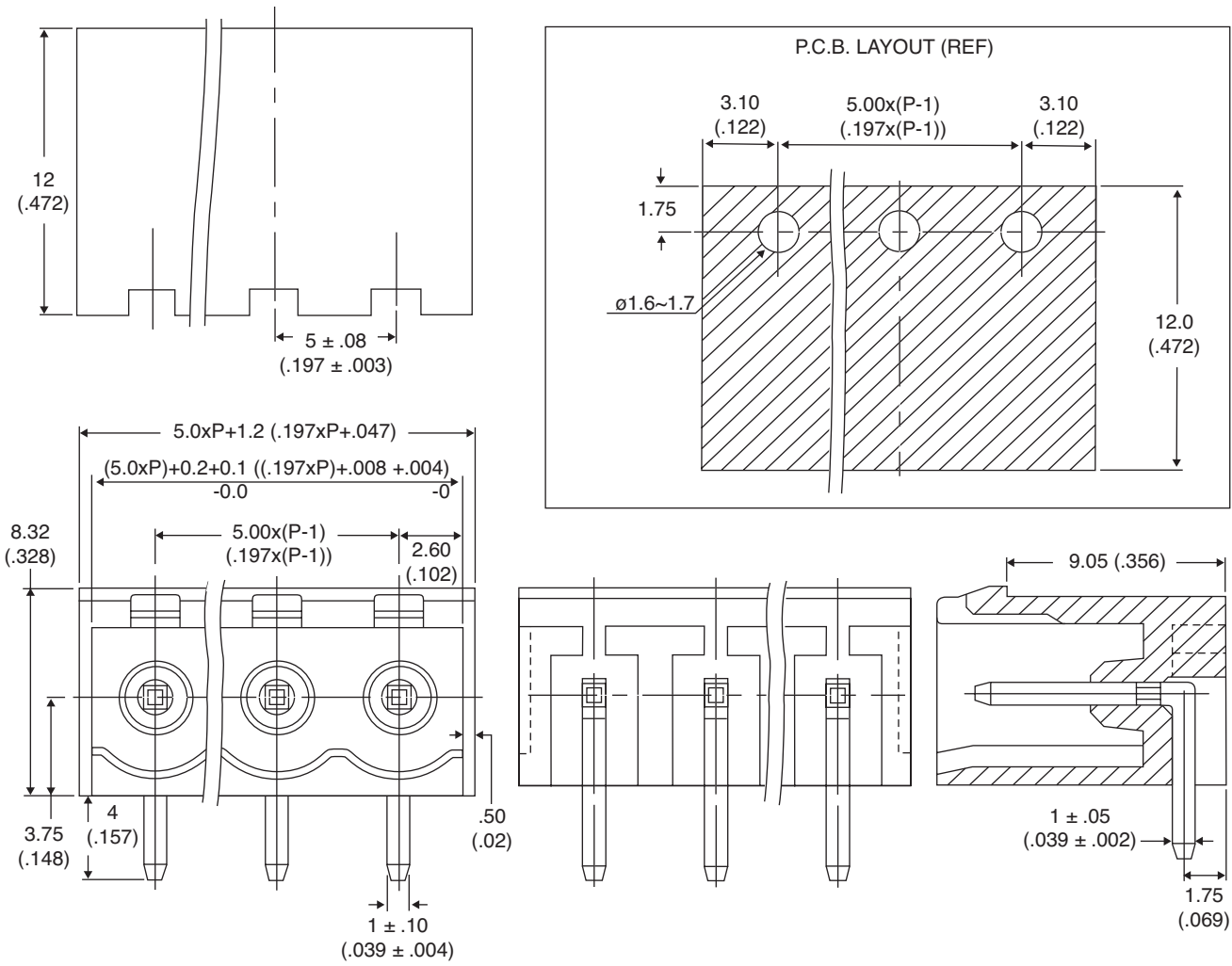
Terminal Block Headers

158-P025EHDRCH-E, 158-P035EHDRCH-E, 158-P045EHDRCH-E, 158-P055EHDRCH-E,
158-P065EHDRCH-E, 158-P075EHDRCH-E, 158-P085EHDRCH-E, 158-P095EHDRCH-E,
158-P105EHDRCH-E, 158-P115EHDRCH-E, 158-P125EHDRCH-E



Terminal Block Headers

158-P025EHDRCH-E, 158-P035EHDRCH-E, 158-P045EHDRCH-E, 158-P055EHDRCH-E, 158-P065EHDRCH-E, 158-P075EHDRCH-E, 158-P085EHDRCH-E, 158-P095EHDRCH-E, 158-P105EHDRCH-E, 158-P115EHDRCH-E, 158-P125EHDRCH-E



Dimensions: mm (in.)

SPECIFICATIONS	
Rating:	300V 15A
Pitch:	5.00 mm
Insulation withstands voltage:	AC 1500 V/min
Insulation resistance:	500MΩ or more @ DC500V
Temperature range:	-40°C ~ +105°C

MATERIAL SPECIFICATIONS	
Solder pin:	tin plated copper
Housing:	PA66, green
RoHS Compliant	

Date Last Revised: 4-13-07

Available from Mouser Electronics
1-800-346-6873 / www.mouser.com

KC- 301128

Specifications are subject to change without notice. No liability or warranty implied by this information. Environmental compliance based on producer documentation.