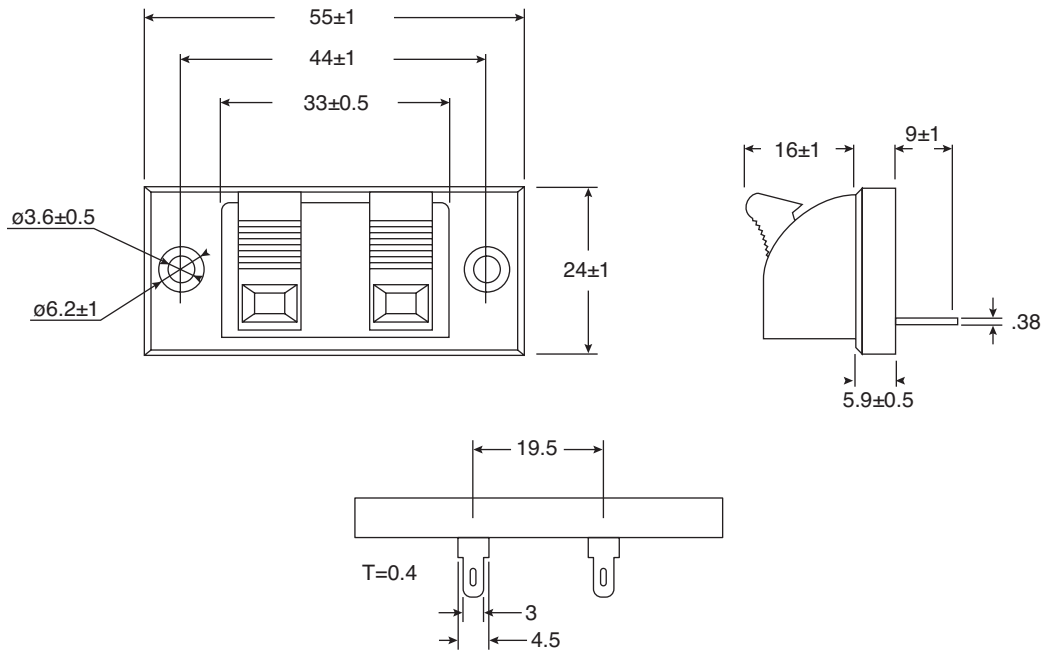


# Compression Terminal

151-R225-E



Compression Terminal



Dimensions: mm

## SPECIFICATIONS

<b>Rating:</b>	10A 125VAC
<b>Recommended Wire AWG:</b>	#22, Dia. 0.643mm
<b>Insulation Resistance:</b>	DC 500V 100M $\Omega$ Min.
<b>Dielectric Voltage:</b>	AC 1000V 1 Min.
RoHS Compliant	

Date Last Revised: 07-19-11

Available from Mouser Electronics  
1-800-346-6873 / [www.mouser.com](http://www.mouser.com)

KC-301250

151-R225-E