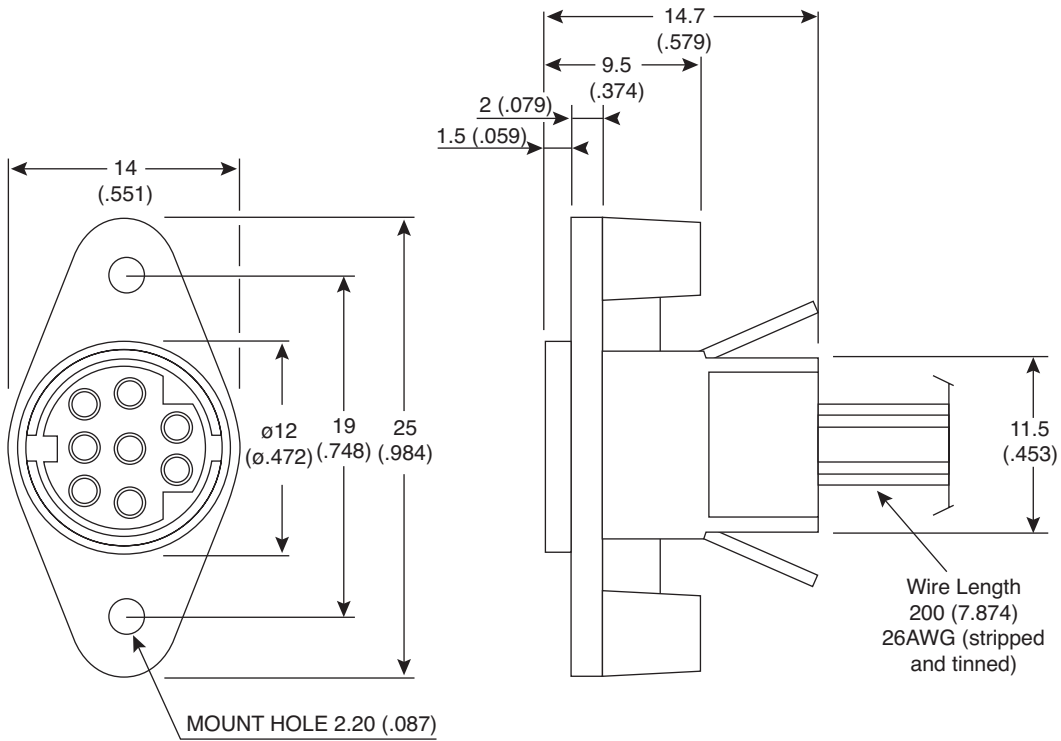


DIN Connector

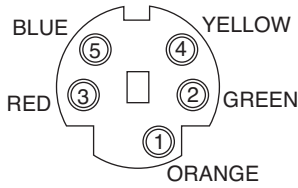
161-2105, 161-2106, 161-2108



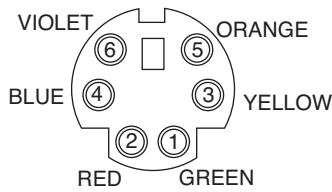
DIN Connector



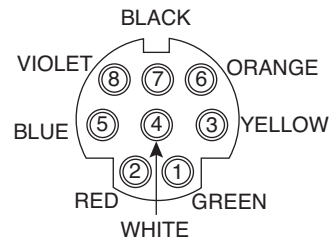
TOL = 0.1mm (.004)



161-2105



161-2106



161-2108

Dimensions: mm (In.)

SPECIFICATIONS	
Connector:	Tin plated brass
Earth Terminal:	Nickel plated brass
Body:	PBT + 15%GF
Finish:	Flat black

Date Last Revised: 3-21-06

Available from Mouser Electronics
 1-800-346-6873
 www.mouser.com

KC- 300078

161-2105, 161-2106, 161-2108