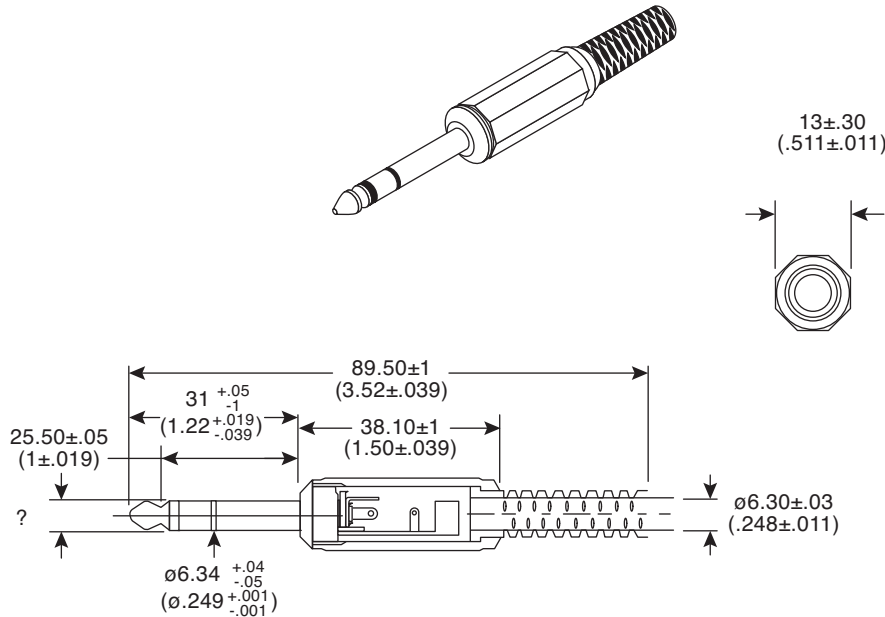


# 1/4" Stereo Phone Plugs

171-1303-EX, 171-1304-EX, 171-1305-EX



1/4" Stereo Phone Plugs



**DIMENSIONS mm (in.)**

SPECIFICATIONS	
<b>Type:</b>	1/4" unshielded stereo phone
<b>Breakdown Voltage:</b>	500VDC for 1 minute
<b>Insulation Resistance:</b>	50MΩ min. @ 500VDC
<b>Contact Resistance:</b>	50mΩ max.
<b>Contacts, Terminal A:</b>	nickel plated brass
<b>Insulator A and B:</b>	ABS Plastic
<b>Pin and Terminal C:</b>	nickel plated steel
<b>Cap Insulator:</b>	polypropylene plastic
<b>Strain Relief:</b>	PVC plastic
<b>Color:</b>	red (171-1303-EX), black (171-1304-EX), gray (171-1305-EX)
RoHS Compliant by Exemption	

171-1303-EX, 171-1304-EX, 171-1305-EX

Date Last Revised: 10-20-08

Available from Mouser Electronics  
 1-800-346-6873  
 www.mouser.com

KC-300894