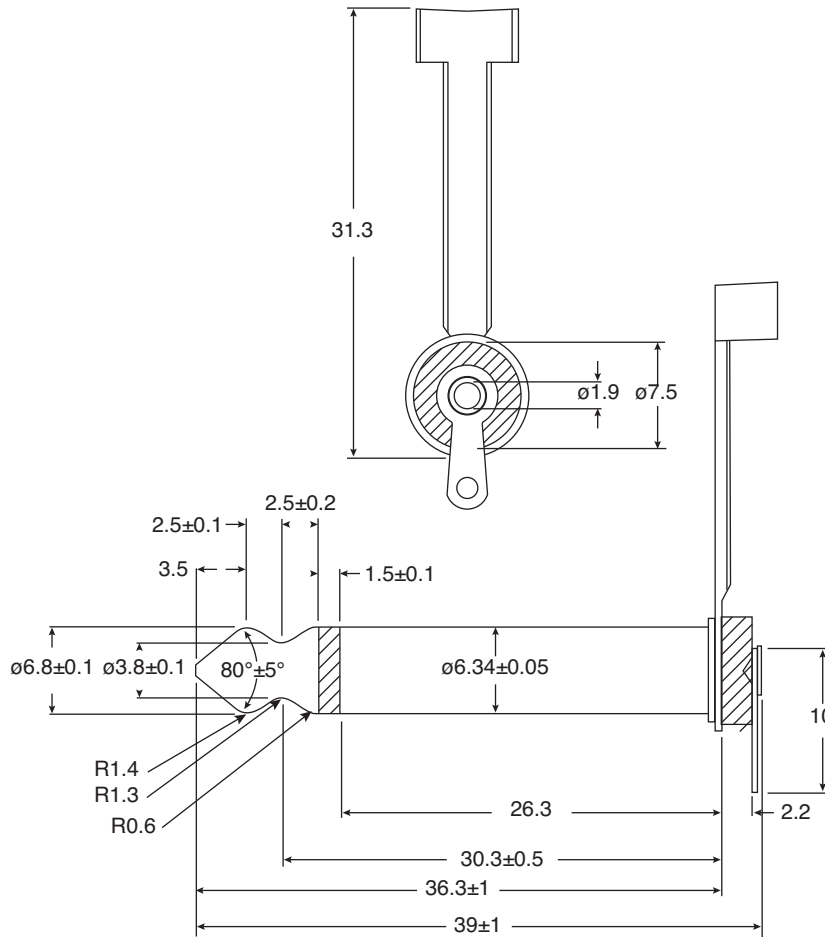


# Mono Plug 6.3mm

171-P6101SL-1S-EX



Mono Plug 6.3mm



Dimensions: mm

## MATERIAL SPECIFICATIONS

Part No.	Material	Plating
1.	Brass	Nickel
2.	ABS	Black
3.	Brass	Nickel
4.	Iron	Nickel
5.	Brass	Nickel
6.	Brass	

**RoHS Compliant by Exemption**

**Application Note:**

Electrical conductivity of this plug could be effected if the molding process is not precisely controlled and engineered correctly. Factors such as temperature, pressure, and material used in the molding process can have an effect on the item being molded. Mouser has no control over these factors or the molding process and does not know enough about the various molding processes to recommend one for use. The user must determine the suitability of this product for his/her molding process.

Date Last Revised: 6-4-09

**Available from Mouser Electronics**  
**1-800-346-6873 / www.mouser.com**

KC-301331

171-P6101SL-1S-EX