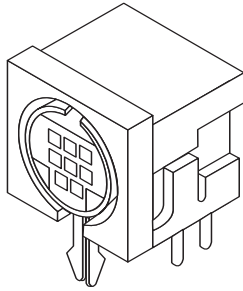


# PCB Unshielded Receptacles

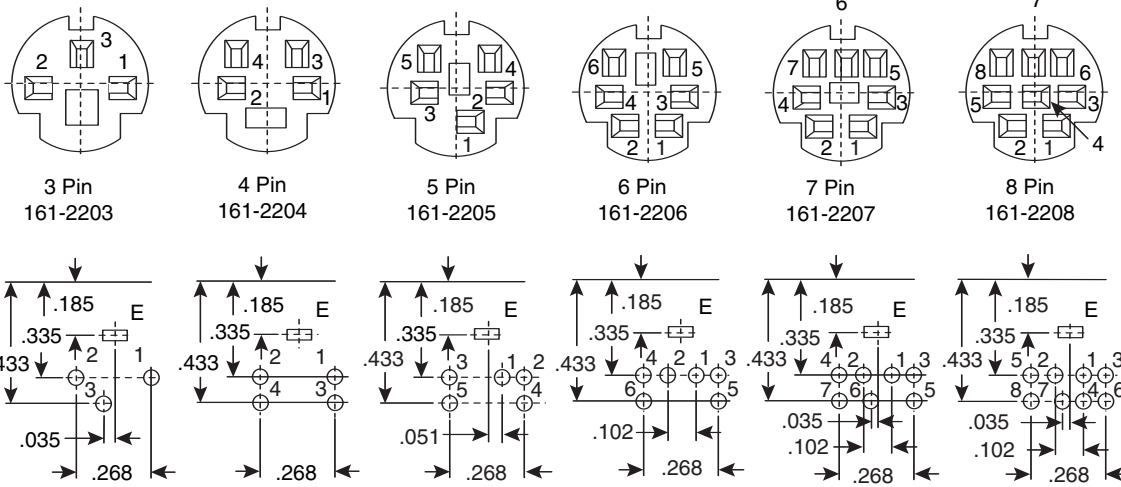
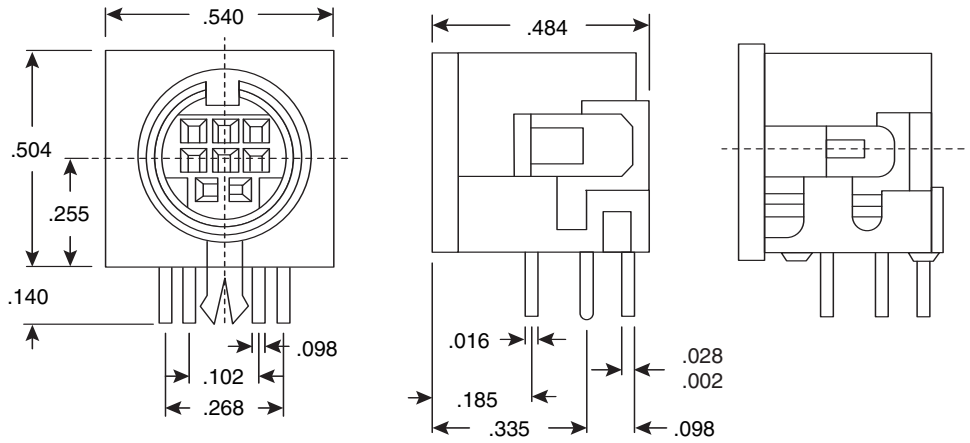
161-2203, 161-2204, 161-2205,  
161-2206, 161-2207, 161-2208



PCB Unshielded Receptacles 161-2203, 161-2204, 161-2205, 161-2206, 161-2207, 161-2208



8 Pin 161-2208 shown



Dimensions: In.

SPECIFICATIONS	
Type:	Unshielded Miniature Circular
Rating:	1A/100VAC max. or 2A/12VDC max.
Insulation Resistance:	50mΩ min. @ 250VDC
Dielectric Strength:	250VAC for 1 Minute
Contact Resistance:	30mΩ max.
Insertion Force:	4.5Kg max.
Withdrawal Force:	0.9Kg ~ 3Kg
E:	Earth (Ground)

Date Last Revised: 5-11-05

Available from Mouser Electronics  
1-800-346-6873  
www.mouser.com

KC-300690