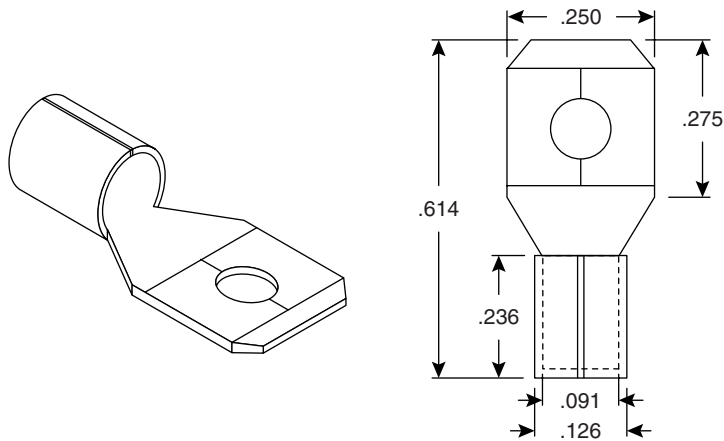


# Butted Seam Disconnect

159-1650



Butted Seam Disconnect



Dimensions: In.

| SPECIFICATIONS |                                |
|----------------|--------------------------------|
| Type:          | non-insulated male disconnect  |
| Material:      | brass                          |
| Wire range:    | 14-16AWG (2.0mm <sup>2</sup> ) |
| Tab thickness: | .032"                          |

Date Last Revised: 6-23-05

Available from Mouser Electronics  
1-800-346-6873  
www.mouser.com

KC-300707

159-1650