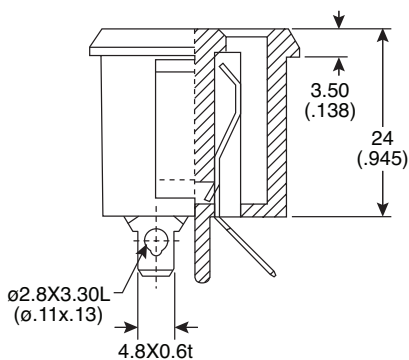
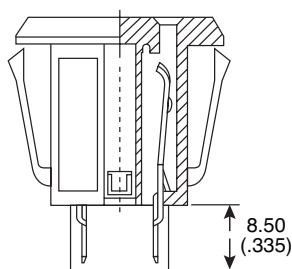
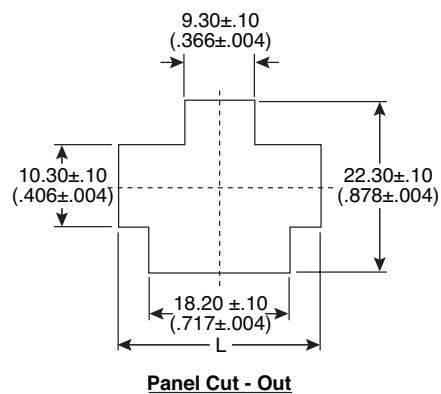
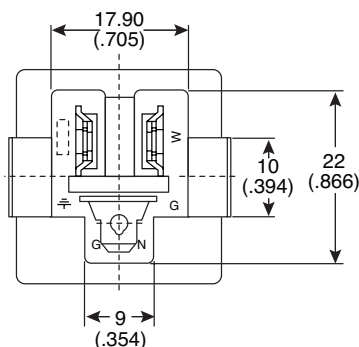
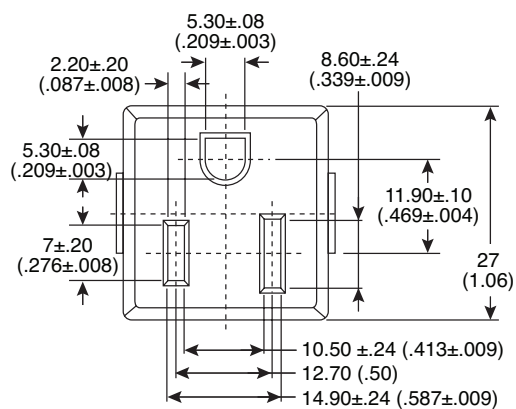


# AC Receptacle

161-0709-E

KOBI CONN

AC Receptacle



Dimensions: mm	
Panel Thickness	L
0.8	24±0.1
1.0	24.6±0.1
1.2	25.2±0.1
1.6	26.2±0.1

Dimensions: mm (in.)

## SPECIFICATIONS

<b>Rating:</b>	15A/125V AC
<b>Insulation resistance:</b>	100 M $\Omega$ min, at 500 VDC
<b>Dielectric strength:</b>	2,000 VAC for 1 minute
RoHS Compliant	

## MATERIALS

<b>Housing:</b>	Nylon 66 flammability UL 94V-0
<b>Terminal:</b>	Copper alloy, tin plated

Date Last Revised: 2-13-07

Available from Mouser Electronics  
1-800-346-6873  
www.mouser.com

KC- 300991

161-0709-E