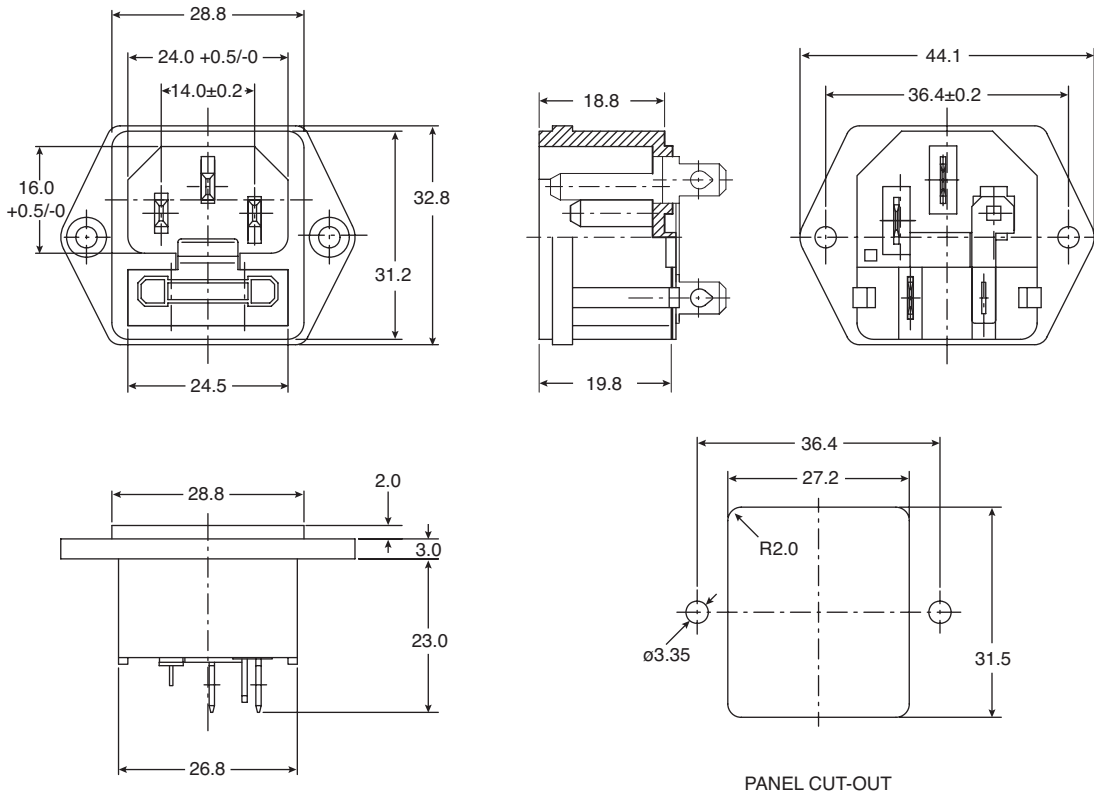


Inlet With 5x20mm Fuse Holder

161-R3013-E



Inlet With 5x20mm Fuse Holder



Dimensions: mm

| SPECIFICATIONS | |
|-------------------------------|--------------------------|
| Rating: | 10A, 250VAC |
| Insulation Resistance: | 100MΩ Min. |
| Dielectric Strength: | 2000V Min |
| Fuseholder: | Suitable for 5x20mm Fuse |
| RoHS Compliant | |

Date Last Revised: 1-16-08

Available from Mouser Electronics
1-800-346-6873 / www.mouser.com

KC- 301193

161-R3013-E