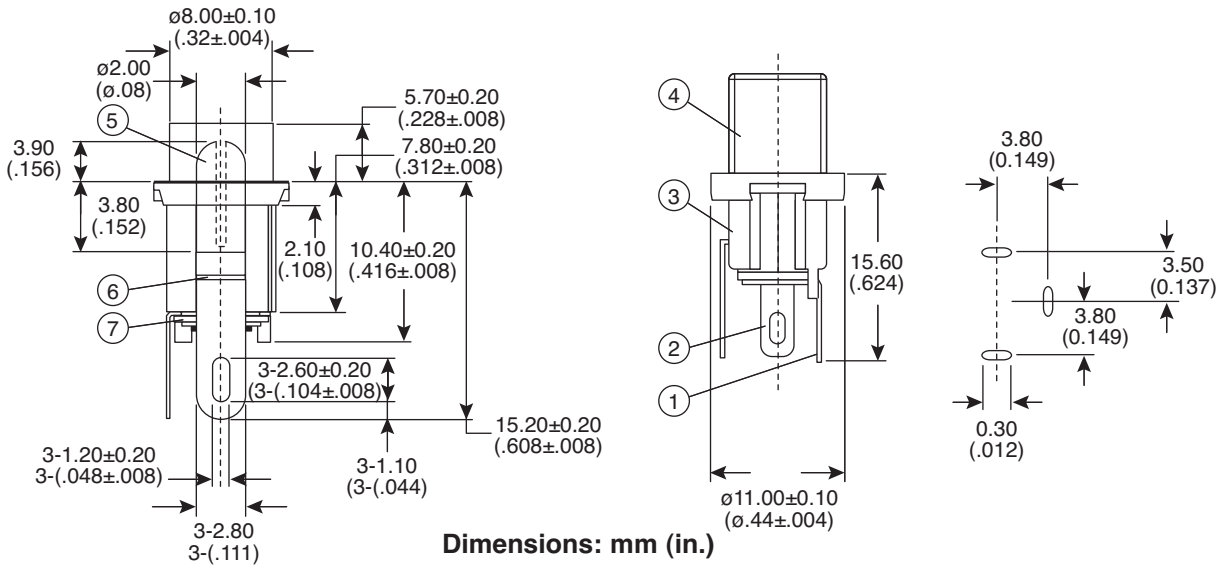
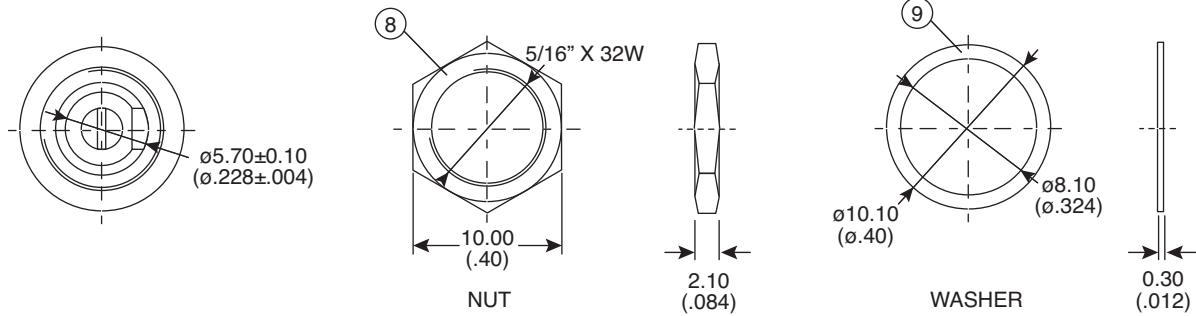
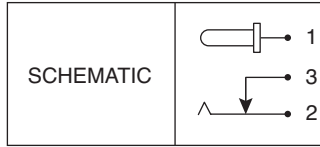


DC Power Jack

163-4304-E



DC Power Jack



No.	Description	Material	Finish
1	Pin Terminal	0.3T Brass	Silver Plated
2	Sleeve Spring	0.4T Phosphor Bronze	Silver Plated
3	Housing	PBT	Black Color
4	Bushing	Brass	Nickel Plated
5	Pin (2.0ø)	Copper	Nickel Plated
6	Insulator A	Red Vulcanited Fibre	Red Color
7	Insulator B	Red Vulcanited Fibre	Red Color
8	Nut	2.1T Brass	Nickel Plated
9	Washer	0.3T Brass	Nickel Plated

SPECIFICATIONS	
Contact resistance:	30mΩ max.
Insulation resistance:	100MΩ at DC 500V
Dielectric withstand voltage:	AC 500V for one minute
Mounting hole dimension:	8.10mm
RoHS Compliant	

Date Last Revised: 12-02-10

Available from Mouser Electronics
 1-800-346-6873
 www.mouser.com

KC-301071

163-4304-E