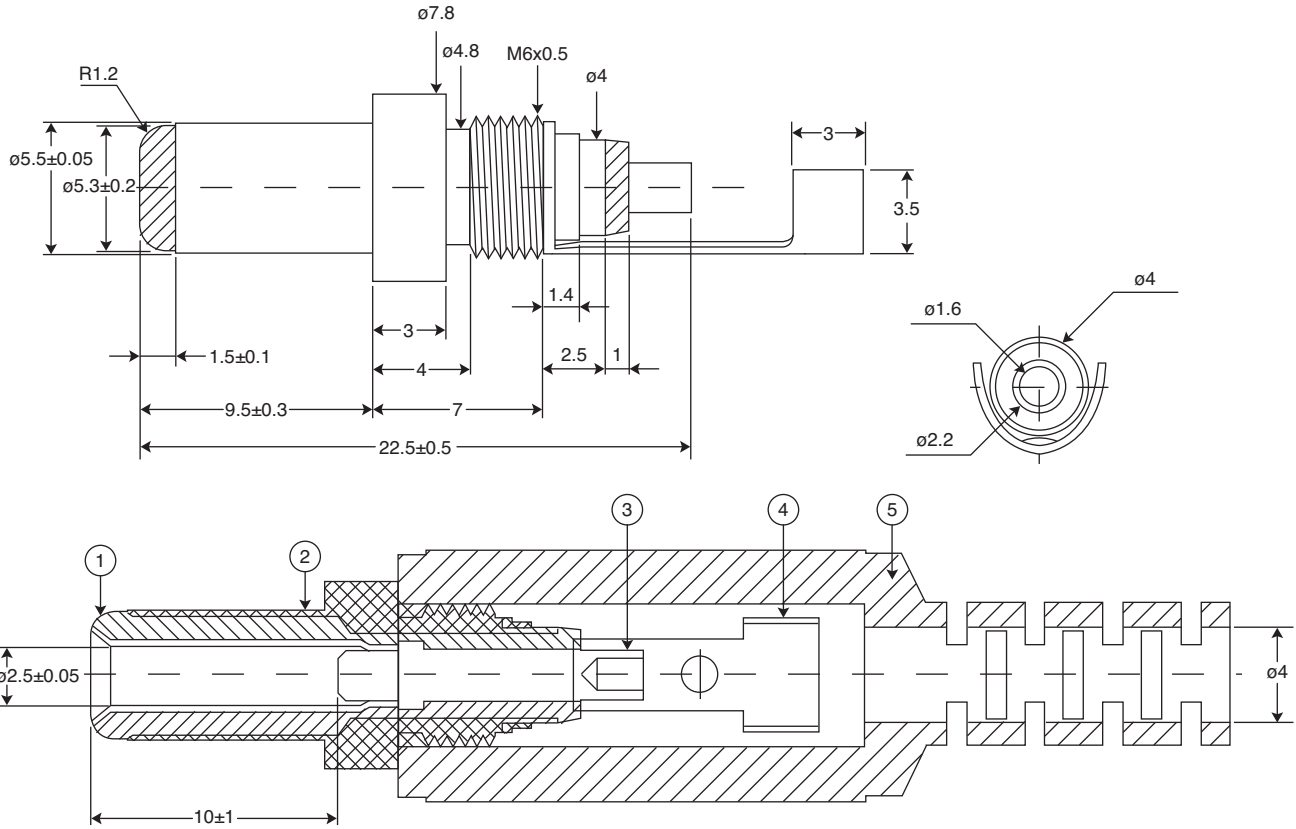


# DC Power Plug

171-PA5525-E



DC Power Plug



Dimensions: mm

MATERIAL SPECIFICATIONS	
1:	POM Black
2:	Brass Nickel
3:	Brass Nickel
4:	Brass Nickel
5:	PVC Black

SPECIFICATIONS
RoHS Compliant

Date Last Revised: 6/10/09

Available from Mouser Electronics  
1-800-346-6873 / [www.mouser.com](http://www.mouser.com)

KC- 301366

Specifications are subject to change without notice. No liability or warranty implied by this information. Environmental compliance based on producer documentation.

171-PA5525-E