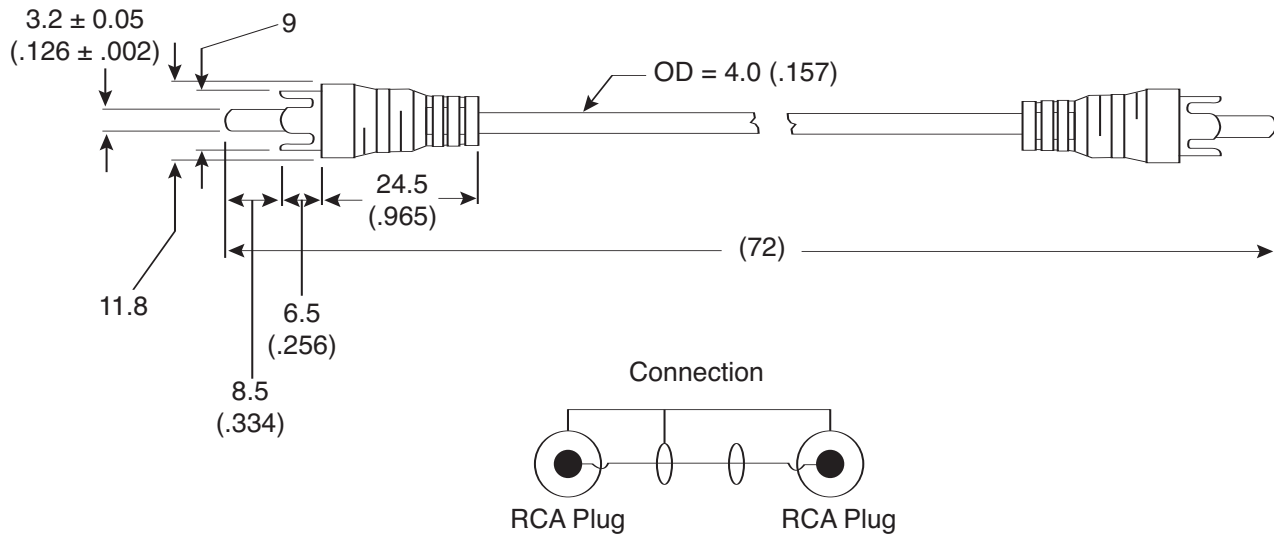


# Cable Assembly

172-1112



Cable Assembly



Dimensions: mm and (In.)

SPECIFICATIONS	
<b>Cable spec:</b>	<10/0.12 - 30/0.12 x 4.0 mm
<b>Temperature:</b>	60°C
<b>Resistance:</b>	0.15 CHM per meter
<b>Voltage rating:</b>	24VDC
<b>Capacitance:</b>	180 ± 5%PF/M 1KHz 25°C
RCA plug at each end	
Center to center, shield to shield	
Gray P.V.C. jacket	

Date Last Revised: 4-6-05

Available from Mouser Electronics  
1-800-346-6873  
www.mouser.com

KC- 300301

172-1112