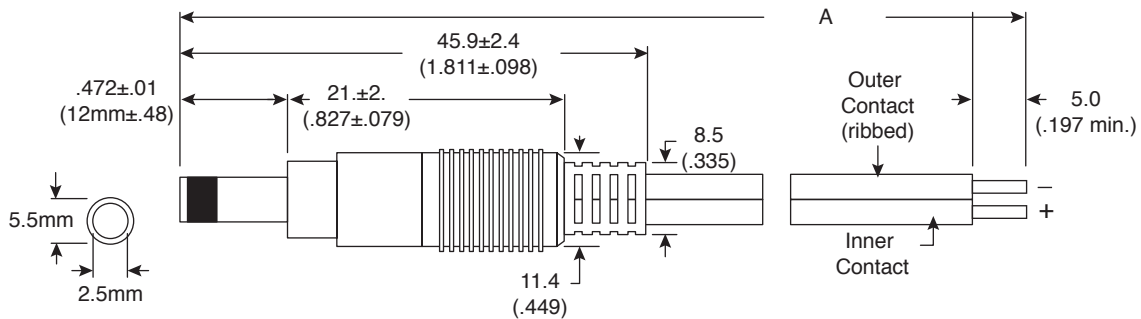
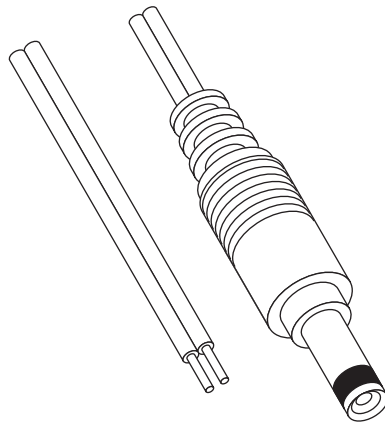


Cable Assembly

172-4201, 172-4215



Cable Assembly



DIMENSIONS: mm (in.)
Except where noted

SPECIFICATIONS	
Type:	DC power, 18AWG 2C SPT-1
PVC jacket:	OD = (.10" x .22") 2.5 x 5.5
Voltage:	300V
Temperature:	60°C
Current rating:	10A
ID & OD tolerance:	± .002

A	Length
172-4201	72"
172-4215	180"

Date Last Revised: 4-5-07

Available from Mouser Electronics
1-800-346-6873 / www.mouser.com

KC-300331

Specifications are subject to change without notice. No liability or warranty implied by this information. Environmental compliance based on producer documentation.

172-4201, 172-4215