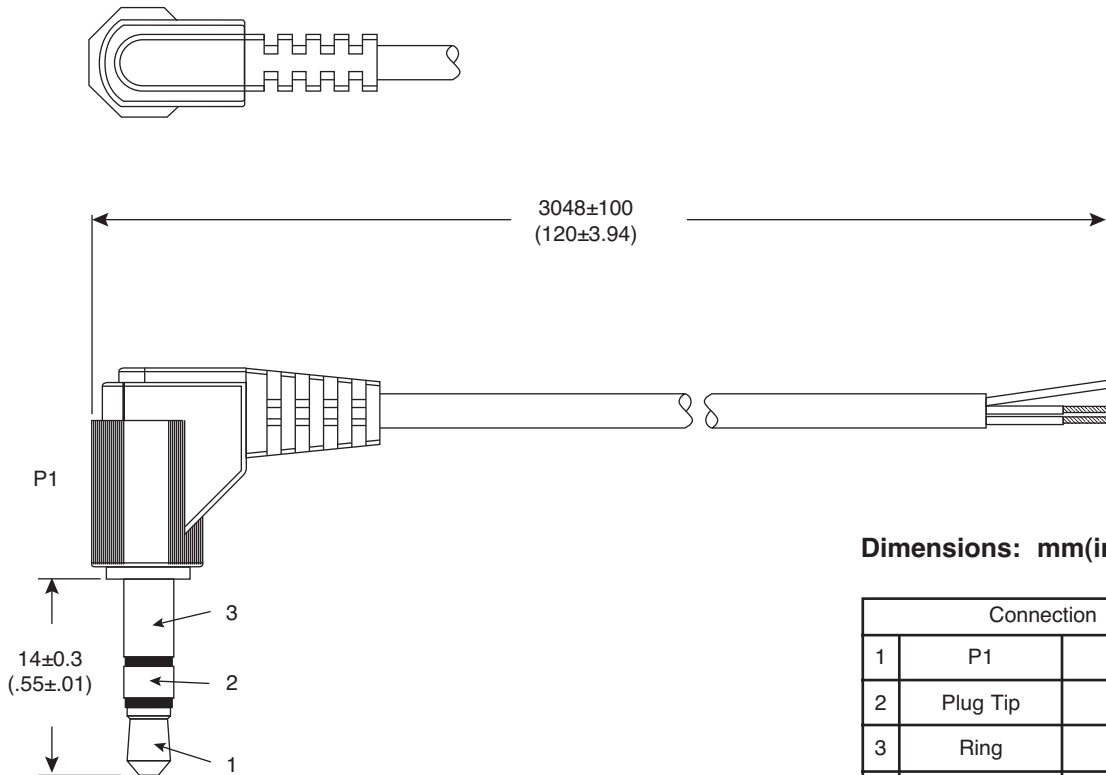


Cable Assemblies 3.5mm

172-7432-E



Cable Assemblies 3.5mm



Dimensions: mm(in)

Connection		
1	P1	Color
2	Plug Tip	White
3	Ring	Green
4	Sleeve	Drain

MECHANICAL SPECIFICATIONS	
Tensile Strength	Pin plug overmold to cable jacket shall withstand 3kgf pull min. for one min.
RoHS Compliant	

ELECTRICAL SPECIFICATIONS	
Operation Temp	-10°C+80°C
Insulation Resistance	DC/250V 10MΩ Min.
Withstand Voltage	AC/250V 5mA, for one min.
RoHS Compliant	

Date Last Revised: 10/20/08

Available from Mouser Electronics
1-800-346-6873 / www.mouser.com

KC-301291

Specifications are subject to change without notice. No liability or warranty implied by this information. Environmental compliance based on producer documentation.

172-7432-E