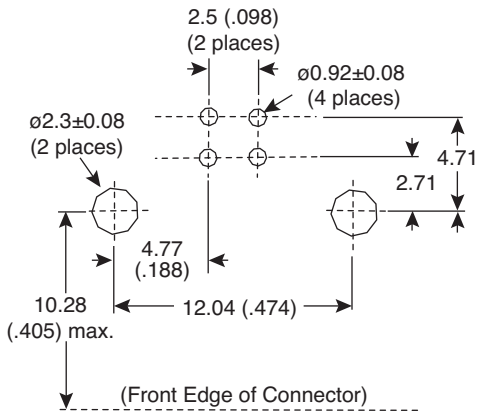
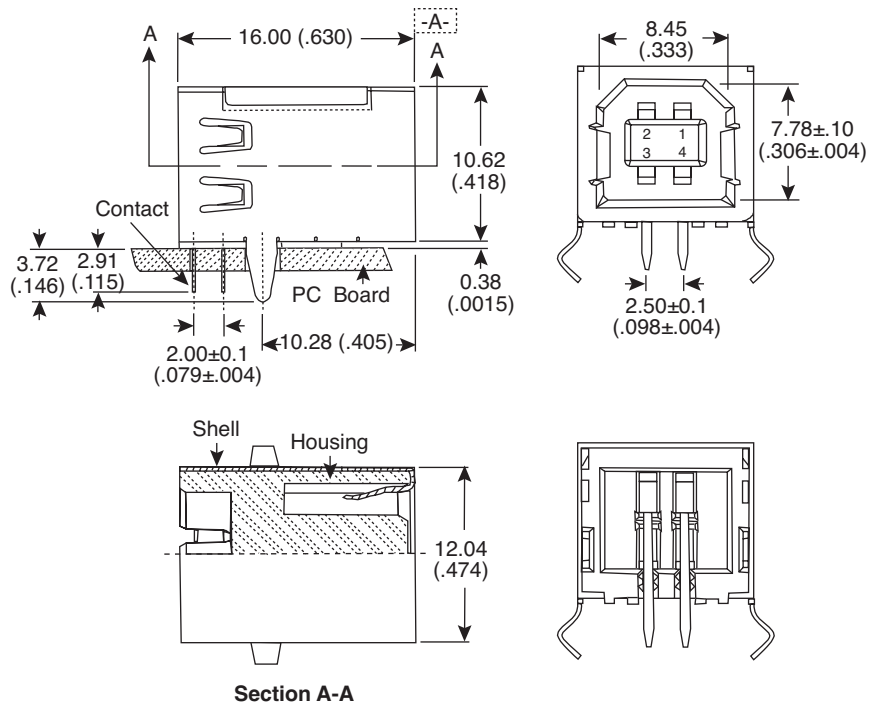
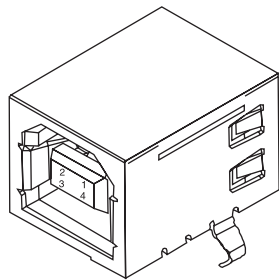
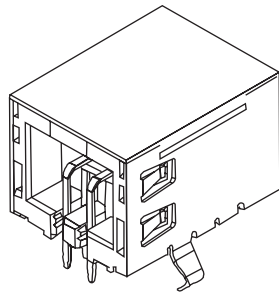


USB Series B Connector

154-2442-E

KOBICONN

USB Series B Connector



PCB Footprint: Receptacle (Thru-hole)

General Tolerance:	
x.	±0.38
.x	±0.25
.xx	±0.13
.xxx	±0.05

Dimensions: mm (In.)

SPECIFICATIONS

Voltage:	30 VAC (R.M.S.)
Current:	1.0 Ampere Maximum Per Contact
Temperature:	-55°C to +85°C
Contact Resistance:	30 Milliohms Maximum Initial
Insulation Resistance:	1,000 M ohms Minimum
Dielectric Withstanding Voltage:	500 VAC
Capacitance:	2 Picofarads Maximum at 1KHZ
Shell:	Copper Alloy Tin Lead Plated
Housing:	PBT, glass Filled, 130°C
Contact:	Copper Alloy Gold Plated 5u"
Insulator:	White Color
Recommended PC Board Thickness:	1.57mm
Recommended Panel Thickness:	2.67mm Maximum
RoHS Compliant	

Date Last Revised: 7-19-06

Available from Mouser Electronics
1-800-346-6873
www.mouser.com

KC- 301021

154-2442-E