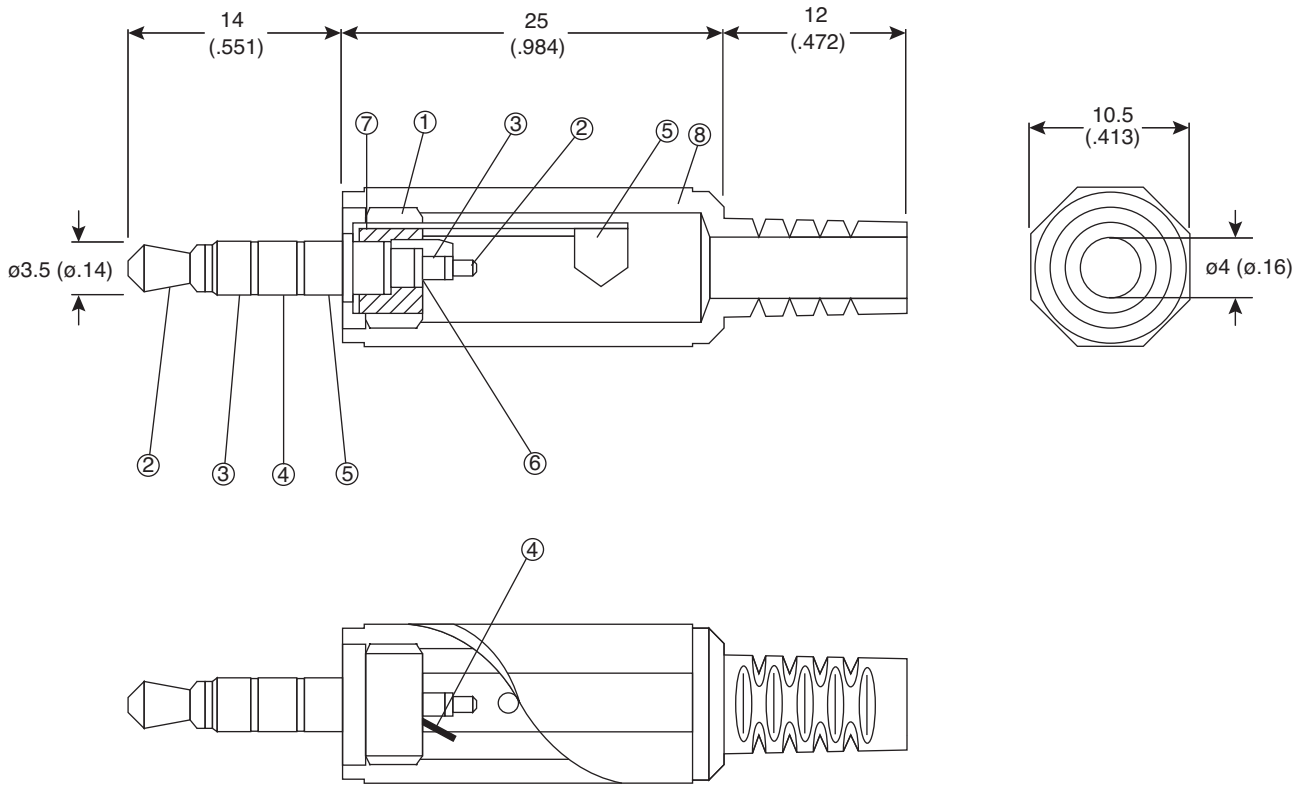


# 3.5mm 4 Cond Plug

171-7435-EX



3.5mm 4 Cond Plug



**DIMENSIONS: mm (in.)**

SPECIFICATIONS	
<b>Handle:</b>	Polyethylene
<b>Contacts:</b>	Nickel plated brass
<b>Color:</b>	Black
<b>Insulator:</b>	PBT G15%
<b>Recommended Wire:</b>	28 AWG
<b>Insulation resistance:</b>	100 Megaohm min. @ 500VDC
<b>Dielectric Strength:</b>	500VAC (for one minute)
<b>Mating jacks:</b>	161-6435-EX 161-5435-EX 161-7900-EX
RoHS Compliant by Exemption	

	Part Name	Material	Finish
1	Metal	BS	NI
2	Chip Terminal	BS	NI
3	Terminal 1	BS	NI
4	Terminal 2	BS	NI
5	Terminal 3	ST	NI
6	Plug Insulator	POM	-
7	Insulator	PBT G15%	-
8	Handle	PE	-

171-7435-EX

Date Last Revised: 8-4-10

Available from Mouser Electronics  
1-800-346-6873  
www.mouser.com

KC-300914