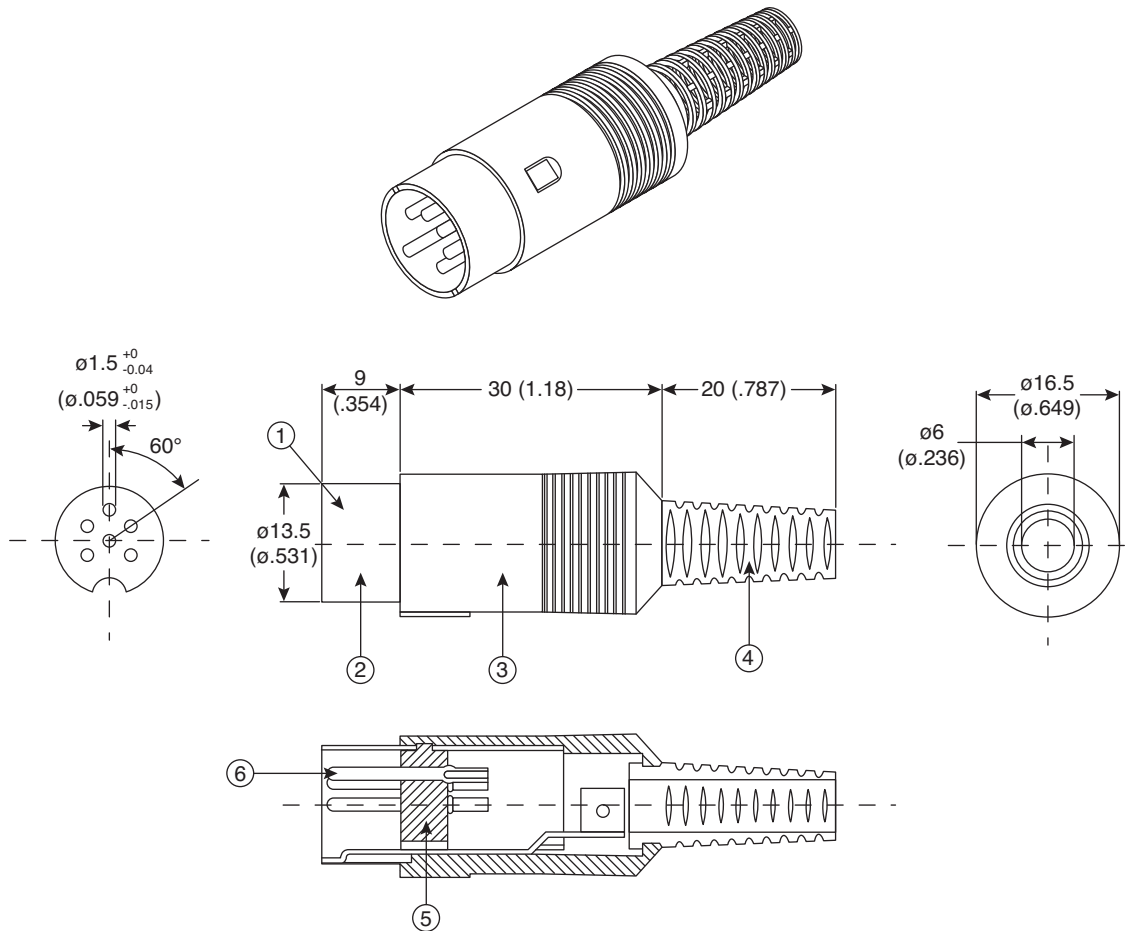


# DIN Plug

## 17PP048-EX

**KOBI**CONN

DIN Plug



Dimensions: mm (in.)

MATERIAL SPECIFICATIONS			ELECTRICAL SPECIFICATIONS	
1	Contact A-1:	Steel	Type:	6 Pin DIN
2	Contact A-2:	Steel	Dielectric Strength:	250V @ 1 Minute
3	Cap:	PVA	Insulation Resistance:	100M $\Omega$
4	Protector:	PVC	Contact Resistance:	30m $\Omega$
5	Insulator:	PBT G=15%	Degree of Arc:	240 $^\circ$
6	Contact Pin:	Brass	Color:	Gray
RoHS Compliant by Exemption			RoHS Compliant by Exemption	

Date Last Revised: 9/13/10

Available from Mouser Electronics  
1-800-346-6873 / [www.mouser.com](http://www.mouser.com)

KC-300878

17PP048-EX

Specifications are subject to change without notice. No liability or warranty implied by this information. Environmental compliance based on producer documentation.