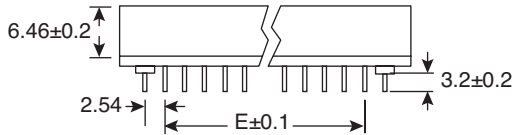
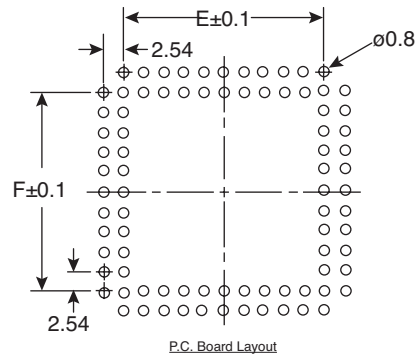
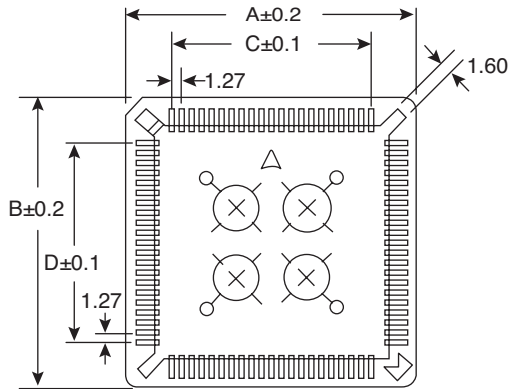


PLCC Sockets

151-1544, 151-1545



PLCC Sockets



Position	Dimension					
	A	B	C	D	E	F
44	23.48	23.48	12.70	12.70	12.70	12.70

Dimensions: mm

SPECIFICATIONS

Type:	PLCC 44 pin, thru-hole
Contact resistance:	20mΩ max. @ 100mA DC
Insulator resistance:	1000MΩ min. @ 500VDC
Current rating:	1 amp
Voltage rating:	500VAC for 1 minute
Operating temperature:	-55°C to +105°C
Contact material:	phosphor bronze
Contact plating:	tin (151-1544); gold (151-1545)
Housing material:	PPS and 30% glass fiber

Date Last Revised: 04-17-13

Available from Mouser Electronics
1-800-346-6873 / www.mouser.com

KC-300753

Specifications are subject to change without notice. No liability or warranty implied by this information. Environmental compliance based on producer documentation.

151-1544, 151-1545