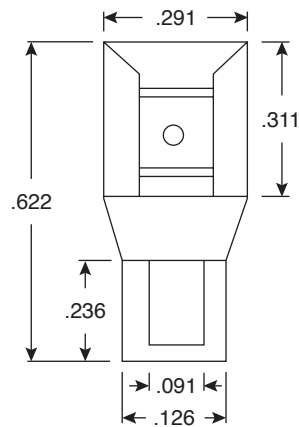
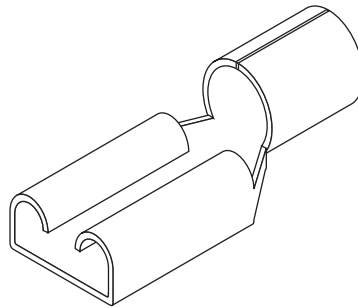


Butted Seam Disconnect

159-2240



Butted Seam Disconnect



Dimensions: In.

SPECIFICATIONS	
Type:	Solderless, Non-Insulated Disconnect
Material:	Brass
Accepts NEMA Tab:	.032" x .250"
Wire Range:	22~16AWG
Material Thickness:	.016"

Date Last Revised: 06-23-05

Available from Mouser Electronics
1-800-346-6873
www.mouser.com

KC-300719

159-2240