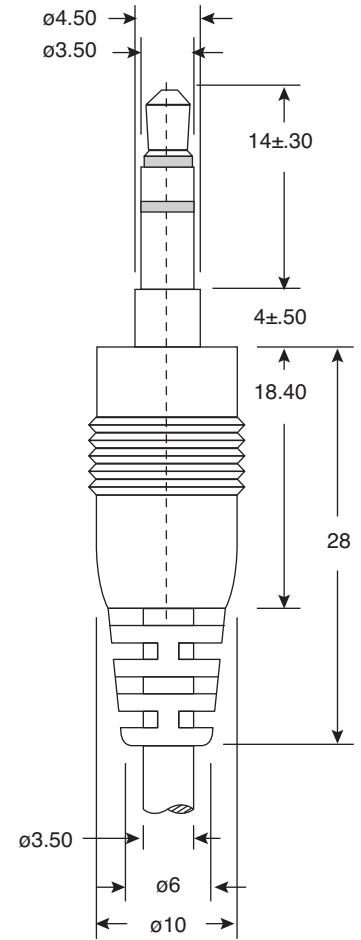
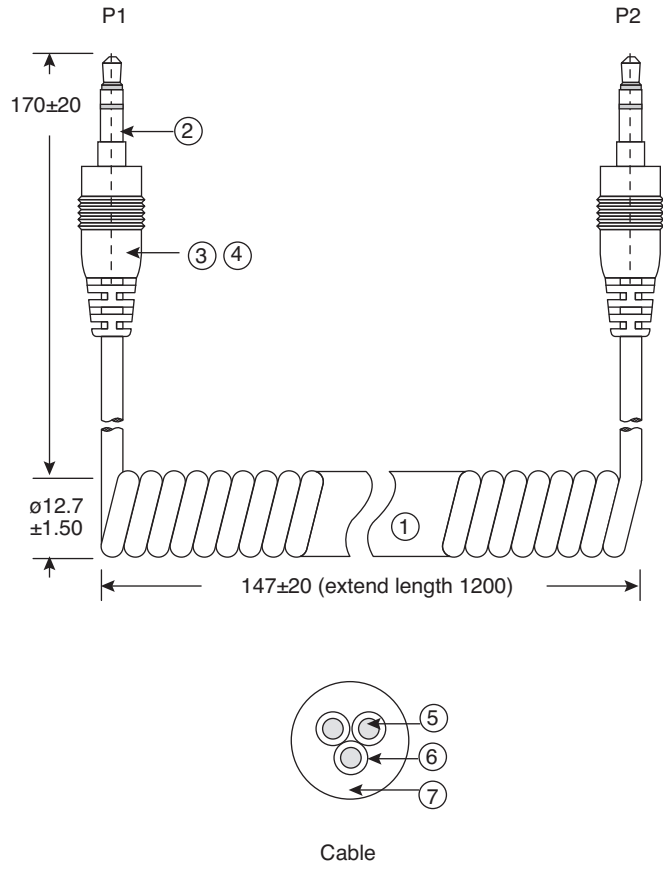


Auxiliary Cable Coiled 3.5mm to 3.5mm

172-JT01-EX



Auxiliary Cable Coiled 3.5mm to 3.5mm



Dimensions: mm

Material Specifications:		
1	Cable:	ø3.5±0.1 PU Black coil cord
2	Plug:	ø3.5 Plug Ni plated/blk (P32413-1M00)
3	Inner-mold:	HDPE
4	Over-mold:	45P PVC Ba
5	Wire:	7/0.12 Copper wire
6	Insulator:	ø1.0±.05 PVC (red, black, white)
7	Jacket:	ø3.50±.10 PU black
RoHS compliant by exemption		

Electrical Specifications:		
2-1	Contact Resistance:	2Ω
2-2	Insulation Resistance:	DC300V, 5MΩ

Date Last Revised: 2/4/09

Available from Mouser Electronics
1-800-346-6873 / www.mouser.com

KC-301338

172-JT01-EX

Specifications are subject to change without notice. No liability or warranty implied by this information. Environmental compliance based on producer documentation.