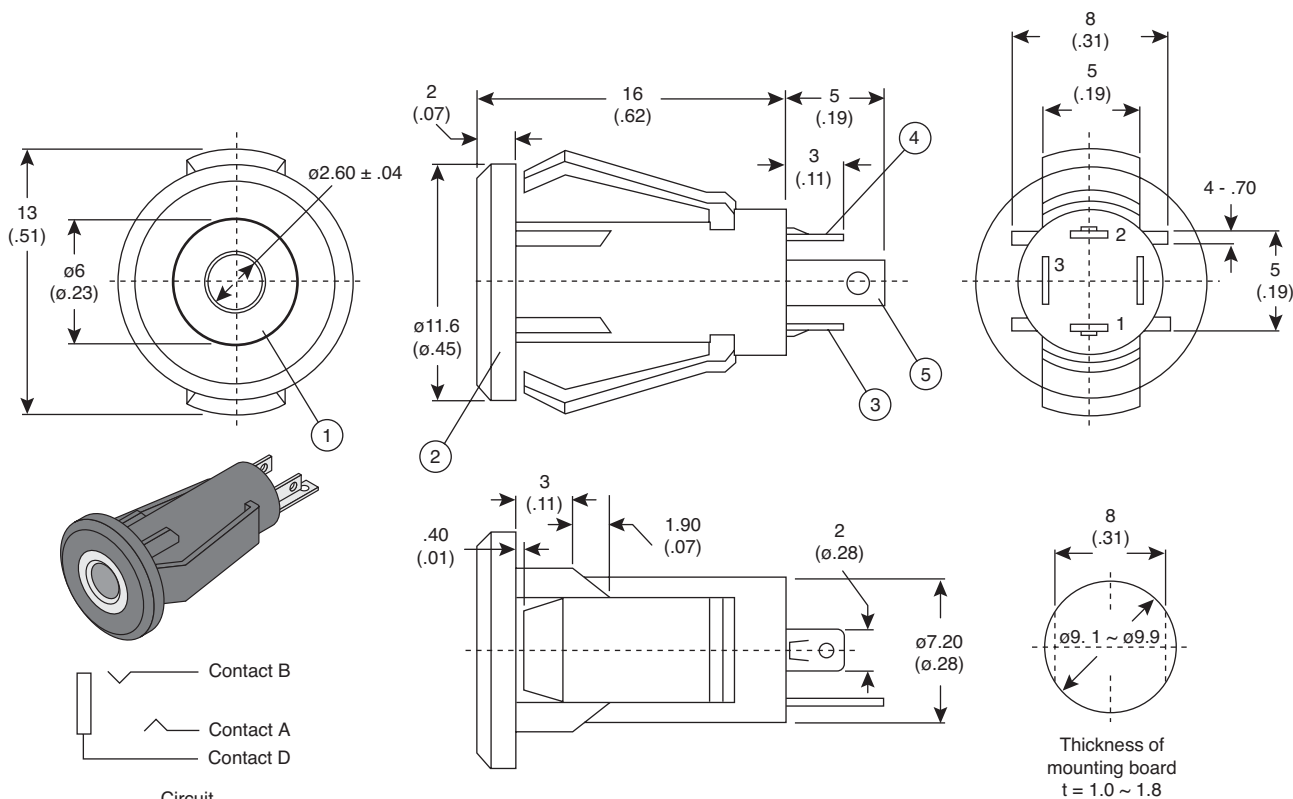


3 Conductor Sub-Mini Stereo Jack (2.50 - 3)

161-071SP-EX

KOBICONN

3 Conductor Sub-Mini Stereo Jack (2.50 - 3)



Dimensions: mm (IN.)

SPECIFICATIONS

RoHS Compliant by Exemption

No.	Part Name	Material	Finish
1	Metal	BSBM	Au
2	Body	PA 66	-
3	Contact A	FAB-EH, t = 0.25	Ni
4	Contact B	FAB-EH, t = 0.25	Au
5	Contact D	BSR, t = 0.3	Ni

Date Last Revised: 12-08-05

Available from Mouser Electronics
 1-800-346-6873
www.mouser.com

KC- 300929

161-071SP-EX